



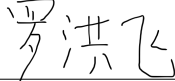
# PRODUCT SPECIFICATION

CDTECH Model: **S101HWX34HD-DC58-D20**

CUSTOMER Model: **-**

Description: **10.1" TFT-LCD Module with CTP**

Version: **1.0**

CDTECH	PREPARED BY	CHECKED BY	APPROVED BY
SIGNATURE			
DATE	2023.2.10	2023.2.10	2023.2.10

	SIGNATURE	DATE
CUSTOMER APPROVAL		





---

## Contents

1. General Specifications .....	4
2. Absolute Maximum Ratings .....	5
3. Electrical Characteristics .....	5
4. Interface Pin Assignment .....	7
5. Interface Characteristics .....	9
6. Optical Specifications .....	14
7. Reliability Test Items .....	17
8. Mechanical Drawing .....	18
9. Packing .....	19
10. Precautions for Use of LCD modules .....	20

# 1. General Specifications

## 1.1 LCM General Information

Item	Specification	Unit
LCD Size	10.1	inch
Number of Pixels	1280 (H) RGB x 800 (V)	pixels
Display Mode	Normally Black	-
Viewing Direction	Free	o' clock
Interface	LVDS	-
Display Colors	16.7M	colors
Outline Dimension	249.46 (H) x 169.10 (V) x 6.52 (D)	mm
Active Area	216.96 (H) x 135.60 (V)	mm
Pixel Pitch	0.1695 (H) x 0.1695 (V)	mm
Driver IC	EK79202	-
Operation Temperature	-20~70	°C
Storage Temperature	-30~80	°C

## 1.2 Touch Panel Information

Item	Specification
Touch Structure	G+G
Bonding Type with LCM	Perimeter Bonding
Driver IC	ILI2511
Interface	I <sup>2</sup> C
Touch Count Max	10 Points
Surface treatment	-
Surface hardness	6H
I2C slave address	0X82/0X41
Origin of coordinate	Top Left Corner

Note1: Requirements on environmental protection RoHS compliant.

## 2. Absolute Maximum Ratings

Item	Symbol	MIN.	MAX.	Unit	Note
Analog Supply voltage	VDD	-0.3	5.0	V	Note 1

Note 1: Permanent damage may occur to the LCD module if beyond this specification.

Functional operation should be restricted to the conditions described under normal operating conditions.

## 3. Electrical Characteristics

### 3.1 Recommended Operating Condition for TFT LCD

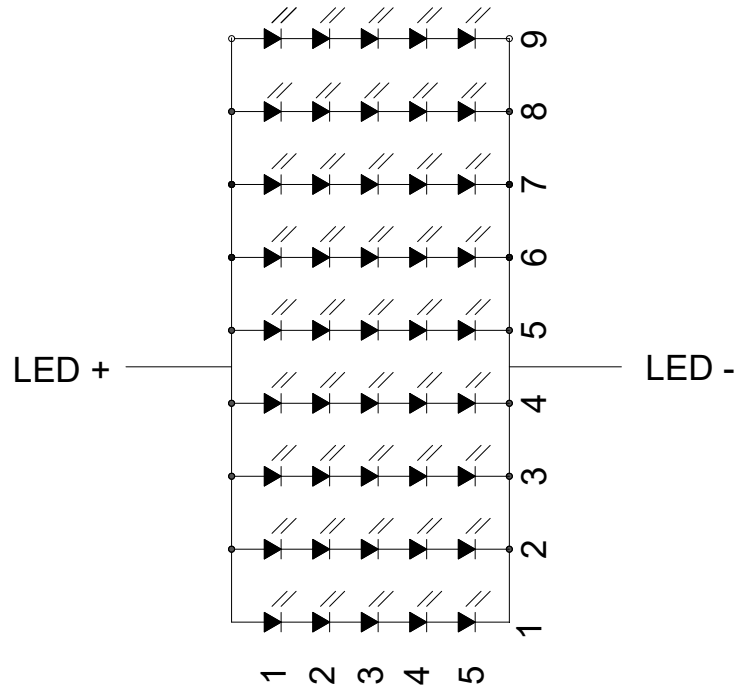
Item	Symbol	Min.	Typ.	Max.	Unit	Note
Analog Supply voltage	VDD	3.0	3.3	3.6	V	
Analog supply current	I <sub>VDD</sub>	-	TBD	-	mA	VDD=3.3V
Logic input voltage	V <sub>IH</sub>	0.7*VDD	-	VDD	V	
	V <sub>IL</sub>	GND	-	0.3*VDD	V	

### 3.2 Recommended Driving Condition for Backlight

Item	Symbol	Min.	Typ.	Max.	Unit	Note
Driving Current	I <sub>F</sub>	-	270	-	mA	
Driving Voltage	V <sub>F</sub>	13.5	-	17.0	V	
Power consumption	W <sub>BL</sub>	3.645	-	4.590	W	
LED Life-Time	N/A	30,000	50,000	-	Hours	Ta=25°C Note 1

Note 1: LED lifetime is defined as the module brightness decay 50% of original brightness at Ta=25 degree, typical current.

Note 2:LED circuit :



### 3.3 Touch Panel

Item	Symbol	Min.	Typ.	Max.	Unit	Note
Power Supply voltage	VDD	-	3.3	-	V	
Analog supply current	$I_{VDD}$	-	TBD	-	mA	VDD=3.3V
Input high-level voltage	$V_{IH}$	$0.7 \cdot VDD$	-	VDD	V	
Input low -level voltage	$V_{IL}$	GND	-	$0.3 \cdot VDD$	V	

## 4. Interface Pin Assignment

### 4.1 LCM Pin Assignment

Recommended connector: FH12-40S-0.5HS(55) manufactured by HIROSE

No.	Symbol	Description
1	NC	No connection
2-3	VDD	Power Supply
4	NC	No connection
5	RESET	Global reset pin
6	STBYB	Standby mode Normally pulled high STBYB=1,normal operation STBYB=0,timing contrller,source Driver will turn off,all output are High-Z
7	GND	Ground
8	RXIN0-	- LVDS differential data input
9	RXIN0+	+ LVDS differential data input
10	GND	Ground
11	RXIN1-	- LVDS differential data input
12	RXIN1+	+ LVDS differential data input
13	GND	Ground
14	RXIN2-	- LVDS differential data input
15	RXIN2+	+ LVDS differential data input
16	GND	Ground
17	RXCLK-	- LVDS differential clock input
18	RXCLK+	+ LVDS differential clock input
19	GND	Ground
20	RXIN3-	- LVDS differential data input
21	RXIN3+	+ LVDS differential data input
22	GND	Ground
23	SDA	Serial data input/output signal
24	SCL	Serial clock signal
25	GND	Ground
26	CS	Chip select pin
27	NC	No connection
28	LVBIT	6-bit / 8-bit input select for LVDS mode

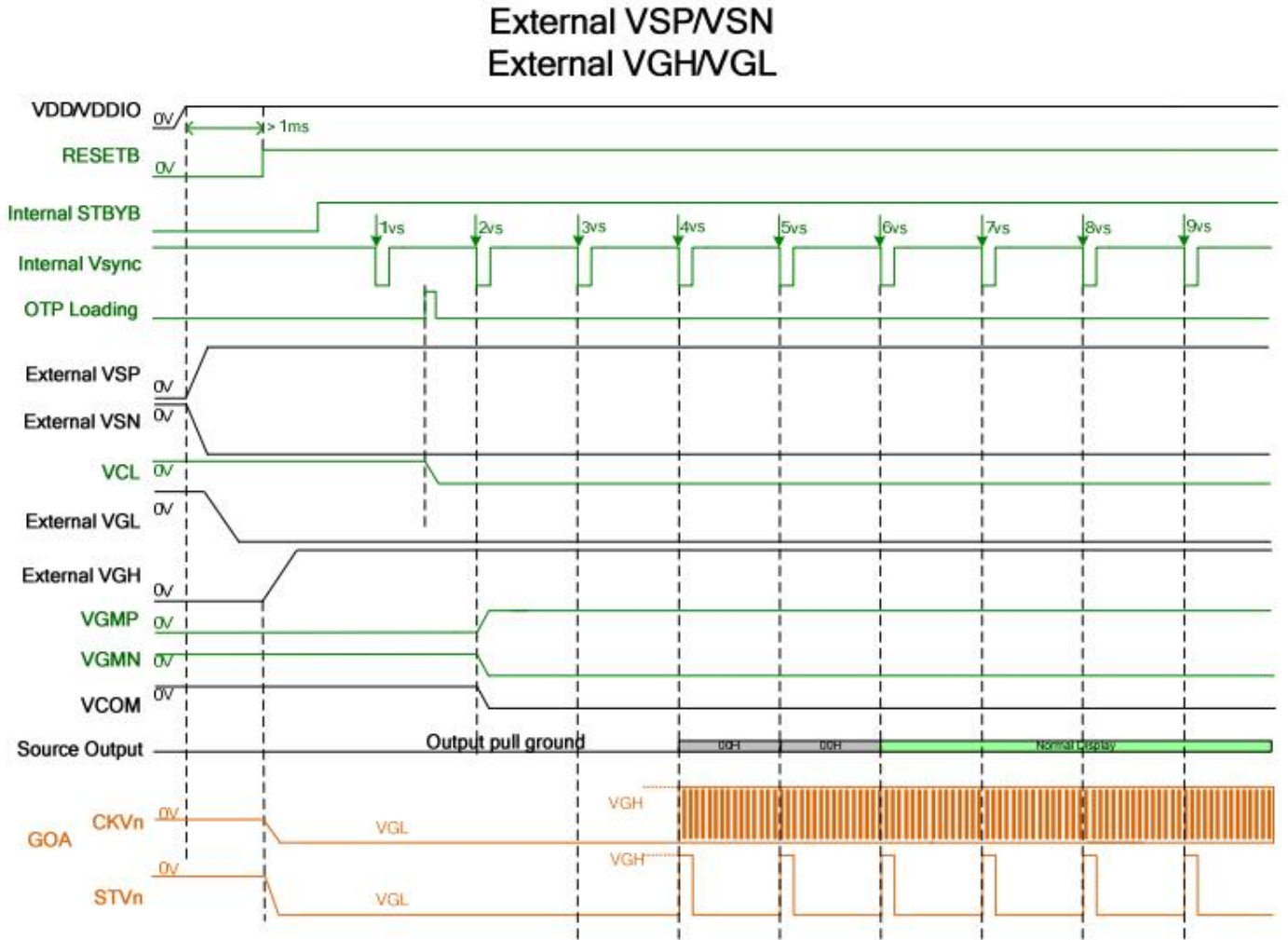
29	NC	No connection
30	GND	Ground
31-32	LEDK-	Power for LED backlight (Cathode)
33-38	NC	No connection
39-40	LEDA+	Power for LED backlight (Anode)

## 4.2 Touch FPC Pin Assignment

No.	Symbol	Description
1	GND	Ground
2	VDD	Power supply
3	SCL	I2C clock input
4	SDA	I2C data input and output
5	INT	Interrupt signal from CTP
6	RST	Reset pin

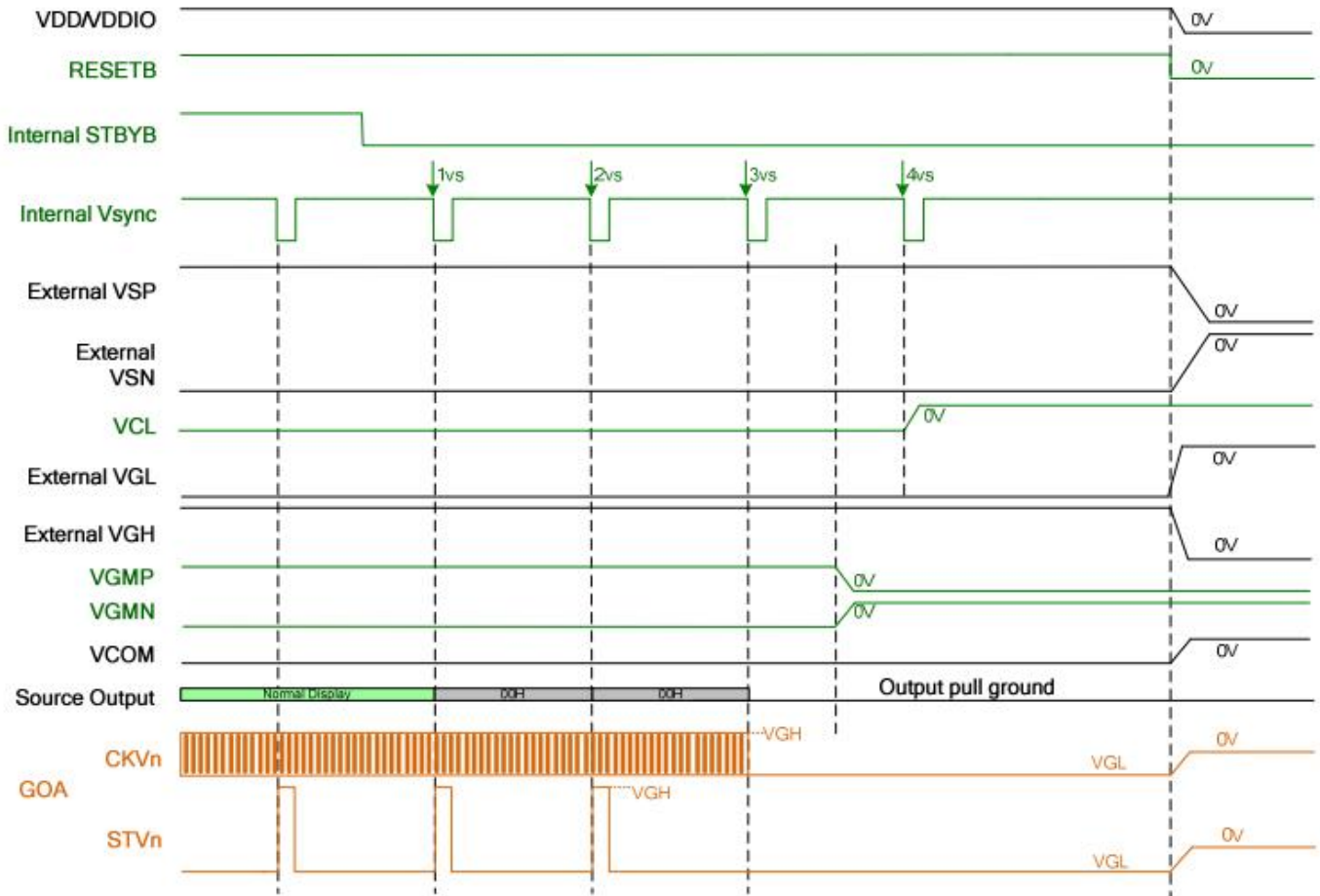
## 5. Interface Characteristics

### 5.1 Power ON/OFF Sequence



Power on sequence with PMODE=H

## External VSP/VSN External VGH/VGL



Power off sequence with PMODE=H

## 5.2 RESET TIMING CHARACTERISTICS

When RESETB of the reset pin equals to Low, it will be in the condition of reset. When it is in the condition of reset, it will make the device recover the initial set.

However, in order to avoid the reset noise cause reset, there is a mechanism to judge about whether the reset is needed or not.

The closed interval of Low can be shown as the following.

(Test condition: VDDIO=2.3V~3.6V, VSS=0V, TA=-20 ~+85 )

Parameter	Symbol	Conditions	Spec.			Unit
			Min.	Typ.	Max	
Reset low pulse width	Trst		20	-	-	μs

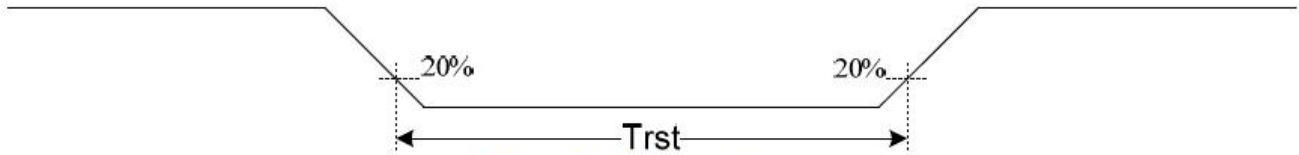
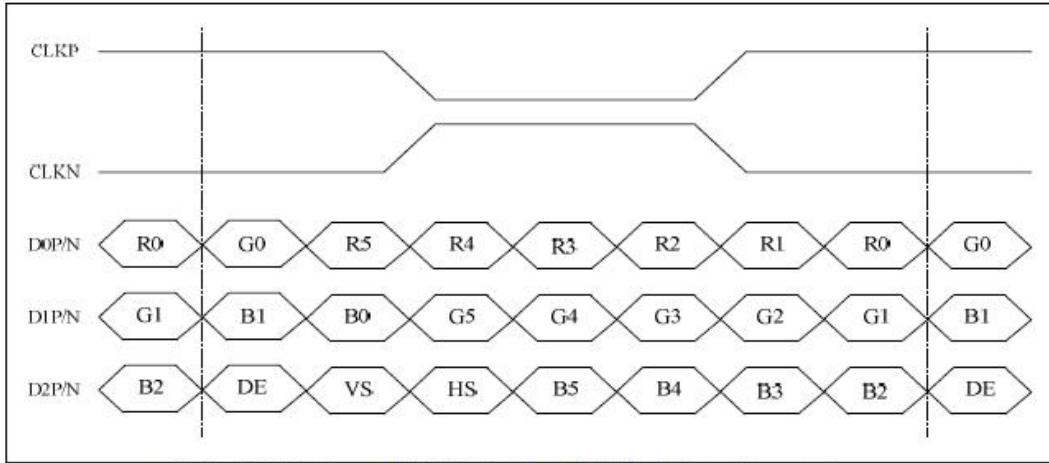
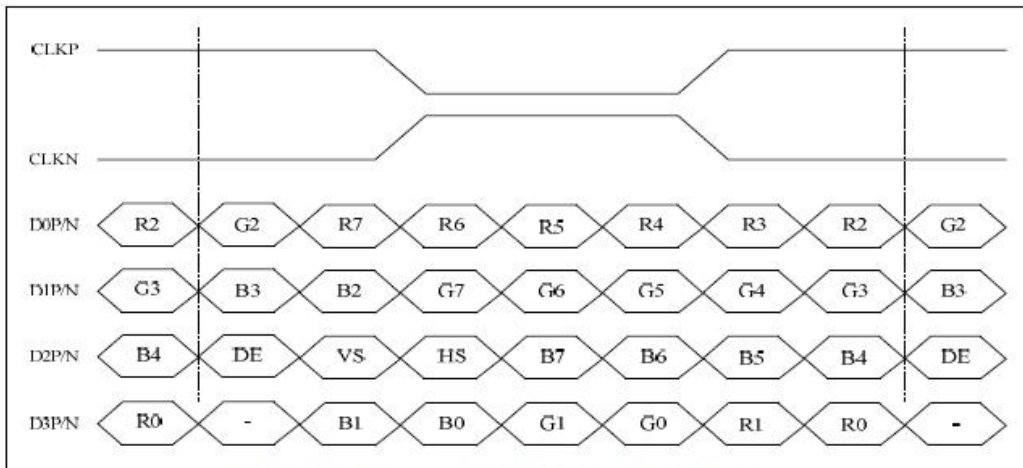


Figure 13.5: Reset timina

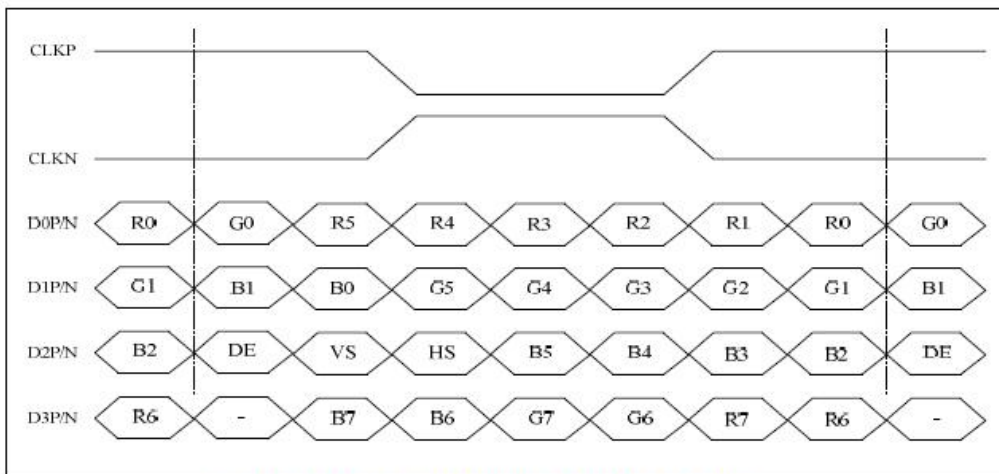
5.3 LVDS interface CHARACTERISTICS



6-bit LVDS input (LVBIT=L, LVFMT=Don't care)



8-bit LVDS input (LVBIT=H, LVFMT=L)



8-bit LVDS input(LVBIT=H, LVFMT=H)

For 1280RGBx800

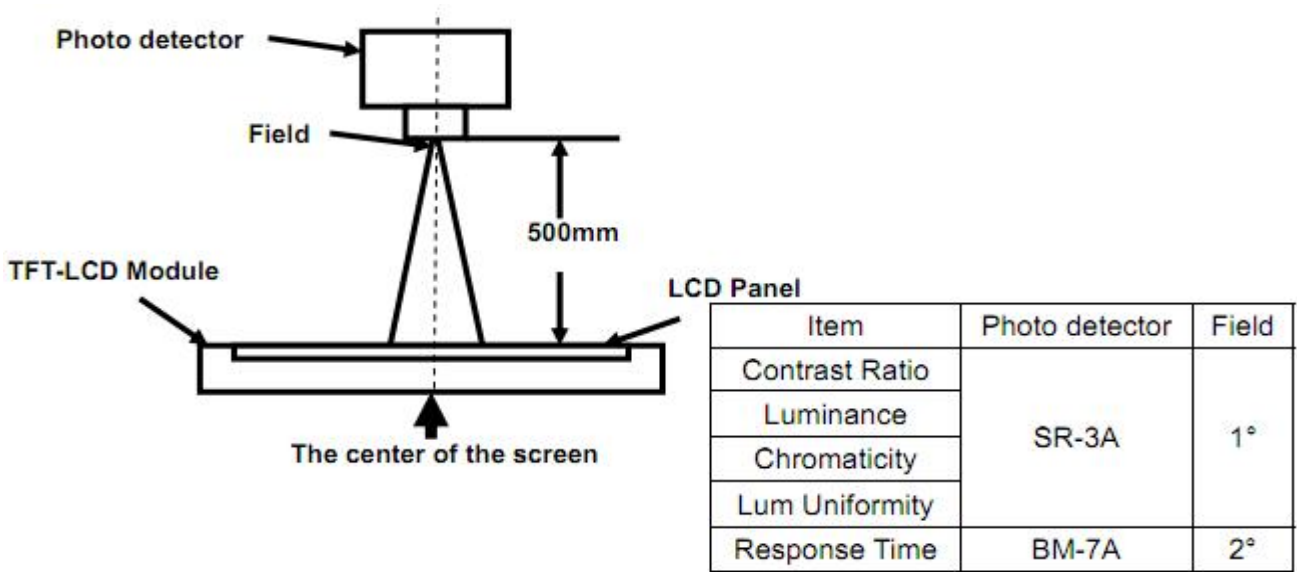
Parameter	Symbol	Value			Unit
		Min.	Typ.	Max.	
DCLK frequency @Frame rate=60Hz (LVDS)	F <sub>DCLK</sub>	66.3	72.4	78.9	MHz
HSYNC period time	T <sub>H</sub>	1380	1440	1500	DCLK
Horizontal display area	T <sub>HD</sub>	1280			DCLK
HSYNC pulse width	T <sub>HPW</sub>	Min.	1		
		Typ.	-		
		Max.	40		
HSYNC back porch(with pulse width)	T <sub>HBP</sub>	88	88	88	DCLK
HSYNC front porch	T <sub>HFP</sub>	12	72	132	DCLK
VSYNC period time	T <sub>V</sub>	824	838	872	H
Vertical display area	T <sub>VD</sub>	800			H
VSYNC pulse width	T <sub>VPW</sub>	Min.	1		H
		Typ.	-		
		Max.	20		
VSYNC back porch(with pulse width)	T <sub>VBP</sub>	23	23	23	H
VSYNC front porch	T <sub>VFP</sub>	1	15	49	H

## 6. Optical Specifications

Item	Symbol	Condition	Min.	Typ.	Max.	Unit	Note
Viewing Angle (CR≥10) B/L ON	$\theta_T$	$\Phi=90^\circ$ (12 o'clock)	70	80	-	deg	Note2
	$\theta_B$	$\Phi=270^\circ$ (6 o'clock)	70	80	-	deg	Note2
	$\theta_L$	$\Phi=180^\circ$ (9 o'clock)	70	80	-	deg	Note2
	$\theta_R$	$\Phi=0^\circ$ (3 o'clock)	70	80	-	deg	Note2
Response Time	$T_{ON}$	Normal $\theta=\Phi=0^\circ$	-	12	17	msec	Note4
	$T_{OFF}$		-	12	17	msec	Note4
Contrast Ratio	CR		800	1000	-	-	Note1 Note3
Color Chromaticity	$W_X$		0.272	0.322	0.372	-	Note1 Note5
	$W_Y$		0.294	0.344	0.394	-	Note1 Note5
Luminance	L		350	400	-	cd/m <sup>2</sup>	Note1 Note7
Luminance Uniformity	$Y_U$		75	80	-	%	Note1 Note6
NTSC	-		-	50	-	%	-

Note 1: Definition of optical measurement system

The optical characteristics should be measured in dark room. After 5 minutes operation, the optical properties are measured at the center point of the LCD screen. All input terminals LCD panel must be ground when measuring the center area of the panel.



Note 2: Definition of viewing angle range and measurement system  
 Viewing angle is measured at the center point of the LCD by CONOSCOPE(ergo-80).

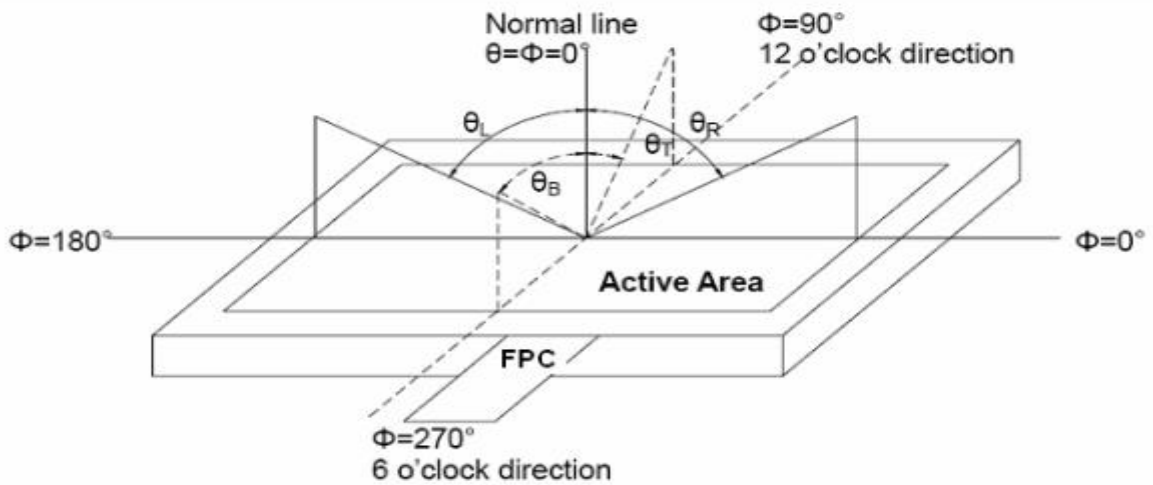


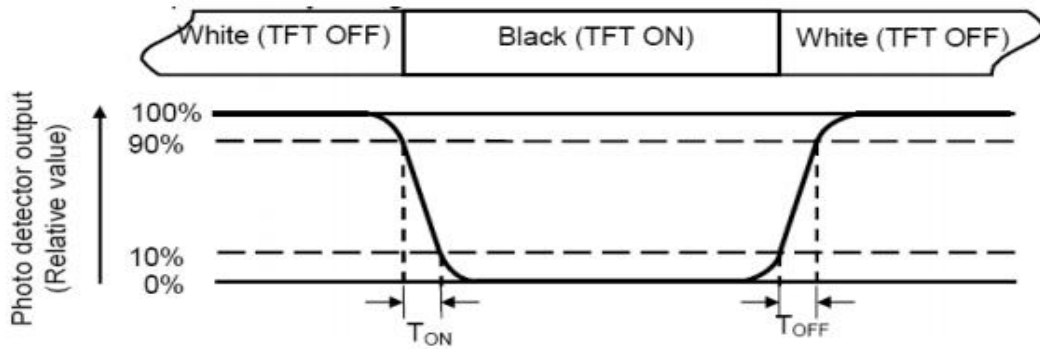
Fig. 1 Definition of viewing angle

Note 3: Definition of contrast ratio

$$CR = \frac{\text{Luminance with all pixels white}}{\text{Luminance with all pixels black}}$$

**Note 4: Definition of Response time**

The response time is defined as the LCD optical switching time interval between “White” state and “Black”state. Rise time (TON) is the time between photo detector output intensity changed from 90% to 10%. And fall time (TOFF) is the time between photo detector output intensity changed from 10% to 90%.



**Note 5: Definition of color chromaticity (CIE1931)**

Color coordinates measured at center point of LCD.

**Note 6: Definition of Luminance Uniformity**

The luminance uniformity in surface luminance is determined by measuring luminance at each test position 1 through n, and then dividing the maximum luminance of n points luminance by minimum luminance of n points luminance. For more information see FIG.2.

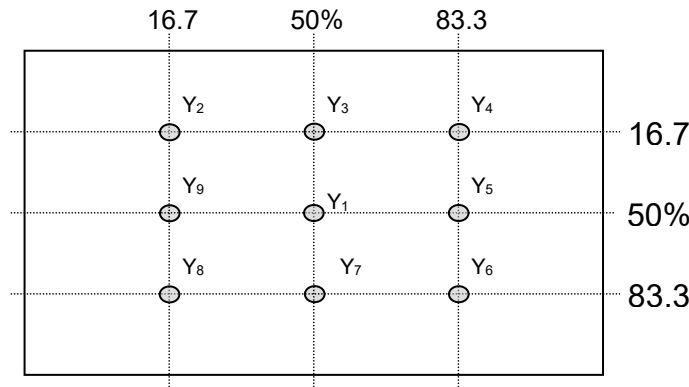


Fig. 2 Definition of points

**Note 7: Definition of Luminance (Refer Fig. 2)**

Surface luminance is the luminance with all pixels displaying white.

$L_v$  = Average Surface Luminance with all white pixels( $P_1, P_2, P_3, \dots, P_n$ ).

## 7. Reliability Test Items

Test Item	Test Conditions
High Temperature Storage	Ta= +80°C 96hrs
Low Temperature Storage	Ta= -30°C 96hrs
High Temperature Operation	Ta= +70°C 96hrs
Low Temperature Operation	Ta= -20°C 96hrs
High Temperature and Humidity Storage	Ta= +60°C, 90% RH 96hrs
Thermal Shock (Non-operation)	-30°C/30 min ~ +80°C/30 min for 20 cycles Start with cold temperature end with high temperature
Electro Static Discharge	Contact = ± 4 kV, class B Air = ± 8 kV, class B R=330Ω,C=150pF
Vibration	Sweep: 10Hz~55Hz~10Hz Stroke: 1.5mm 2 hrs for each direction of X .Y. Z.
Mechanical Shock	60G 6ms,±X,±Y,±Z 3 times for each direction
Package Drop Test	Height: 60 cm 1 corner, 3 edges, 6 surfaces

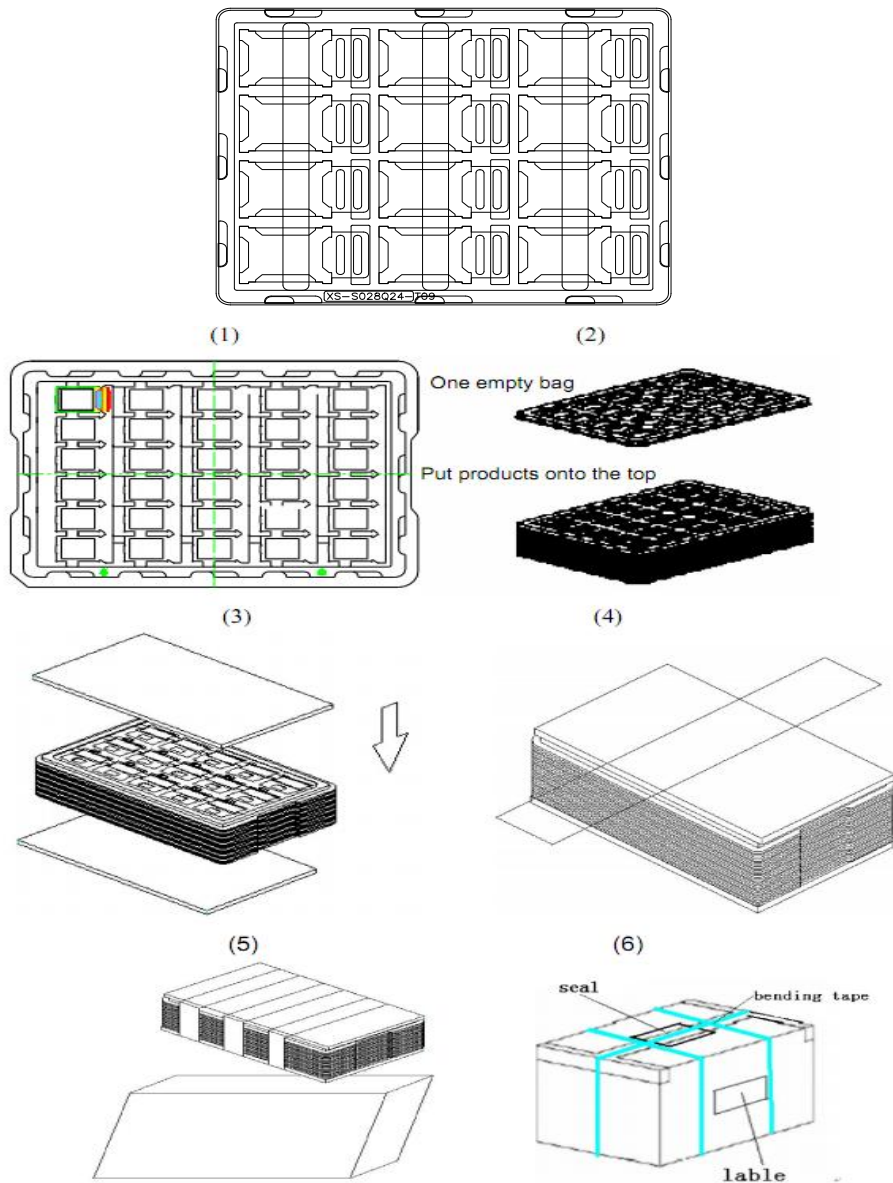
Notes: The test result shall be evaluated after the sample has been left at room temperature and humidity for 2 hours without load. No condensation shall be accepted. The sample will not be accepted if appear these defects:

- 1). Air bubble in the LCD
- 2). Seal leak or Glass crack
- 3). Non display or abnormal display
- 4). Brightness reduction >50%



## 9. Packing

### Packing Method



Steps:

1. Put module into tray cavity
2. Tray stacking
3. Put 1 cardboard under the tray stack and 1 cardboard above
4. Fix the cardboard to the tray stack with adhesive tape
5. Put the tray stack into carton
6. Carton sealing with adhesive tape

## 10. Precautions for Use of LCD modules

### 10.1 Handling Precautions

10.1.1. The display panel is made of glass. Do not subject it to a mechanical shock by dropping it from a high place, etc.

10.1.2. If the display panel is damaged and the liquid crystal substance inside it leaks out, be sure not to get any in your mouth, if the substance comes into contact with your skin or clothes, promptly wash it off using soap and water.

10.1.3. Do not apply excessive force to the display surface or the adjoining areas since this may cause the color tone to vary.

10.1.4. The polarizer covering the display surface of the LCD module is soft and easily scratched. Handle this polarizer carefully.

10.1.5. If the display surface is contaminated, breathe on the surface and gently wipe it with a soft dry cloth. If still not completely clear, moisten cloth with one of the following solvents:

- Isopropyl alcohol
- Ethyl alcohol

Solvents other than those mentioned above may damage the polarizer. Especially, do not use the following:

- Water
- Ketene
- Aromatic solvents

10.1.6. Do not attempt to disassemble the LCD Module.

10.1.7. If the logic circuit power is off, do not apply the input signals.

10.1.8. To prevent destruction of the elements by static electricity, be careful to maintain an optimum work environment.

10.1.8.1. Be sure to ground the body when handling the LCD Modules.

10.1.8.2. Tools required for assembly, such as soldering irons, must be properly ground.

10.1.8.3. To reduce the amount of static electricity generated, do not conduct assembly and other work under dry conditions.

10.1.8.4. The LCD Module is coated with a film to protect the display surface. Be care when peeling off this protective film since static electricity may be generated.

### 10.2 Storage Precautions

10.2.1. When storing the LCD modules, avoid exposure to direct sunlight or to the light of fluorescent lamps.

10.2.2. The LCD modules should be stored under the storage temperature range if the LCD modules will be stored for a long time, the recommend condition is :

Temperature : 0°C ~40°C    Relatively humidity: ≤80%

10.2.3. The LCD modules should be stored in the room without acid, alkali and harmful gas.

### 10.3 Transportation Precautions

The LCD modules should be no falling and violent shocking during transportation, and also should avoid excessive press, water, damp and sunshine.