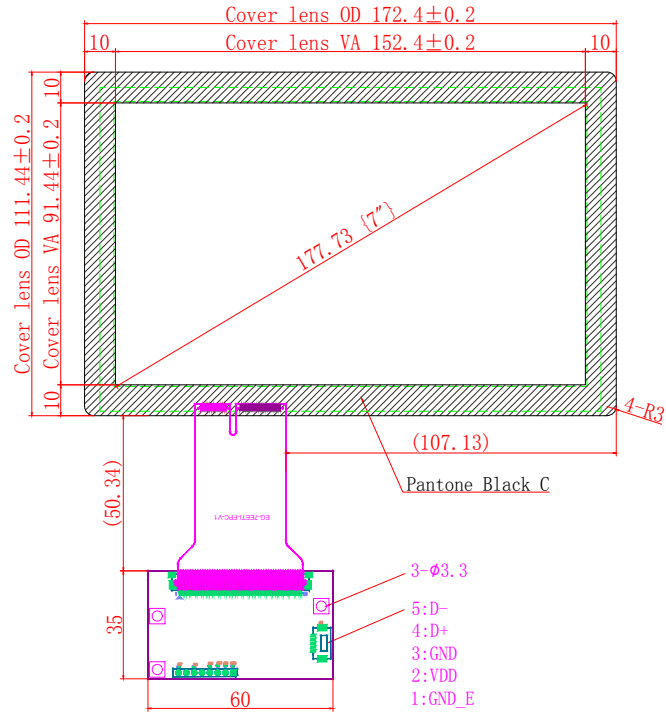
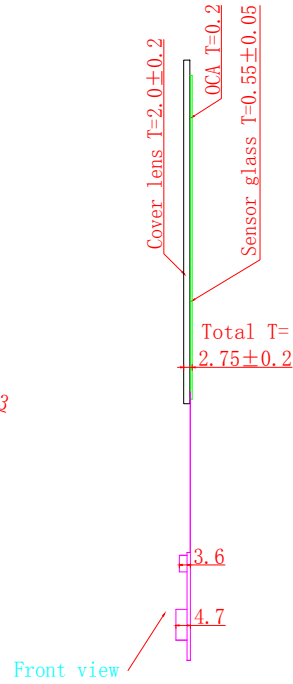


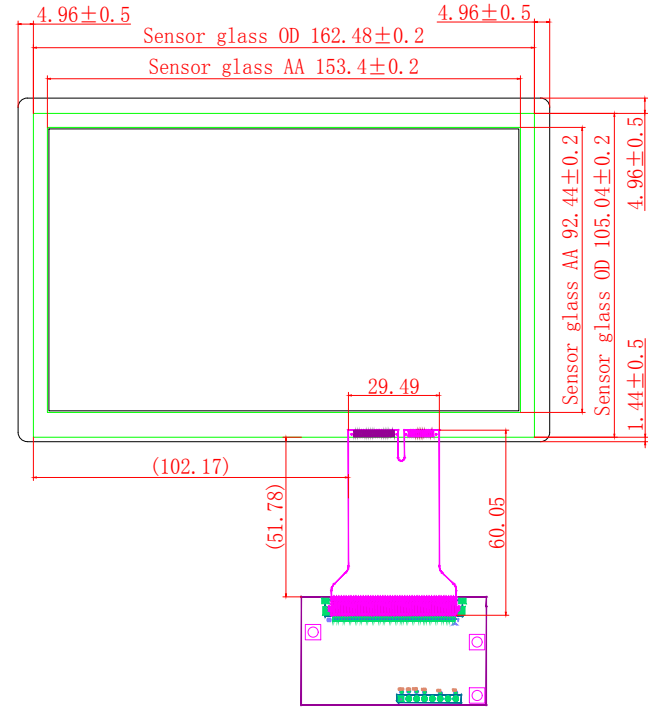
Front view



Side view




Back view



Technical Parameters

- 0: Interface :USB
- 1: Touch point: 10
- 2: Cover lens + Sensor glass + OCA + FPC
- 3: Cover lens Thickness = 2.0mm
- 4: Sensor glass Thickness = 0.55mm
- 5: OCA Thickness = 0.2mm
- 6: Total Thickness = 2.75mm
- 7: Sensor Process: Print Process (ITO Pattern) + laser line(Ag)
- 8: Input Voltage 3.5V~5.5V, Typical 5V
- 9: Transmittance:>85%
- 10: Surface Hardness:>6H
- 11: Relative Humidity:95% at 60°C, RH Non-condensing
- 12: Dimension tolerance:GB/T1804-2000 m

		Ever Glory(Shenzhen) Photoelectricity Co.,Ltd				
Drawing By	Li Jiajing	2018.03.23	Materials	Glass	7"	
Checked By			Scale	1:1		
Approved By			Units	mm	Drawing Name	7 CTP
			第 1 页 共 1 页		Drawing No.	EG-7-A-1509V1