

深圳市亿显国际科技有限公司 ShenZhen Yes-Display International Technology CO.,LTD.			3.9 寸液晶显示屏 <b>3.9 Inch LCD Display Screen</b>	
File NO.	YS-LCM-001	REV	A/01	<a href="http://www.yes-display.com">http://www.yes-display.com</a>

# SPECIFICATION FOR

**Module:YS-T039001 V1.0**

Designed by	R&D Checked by	Quality Department by	Approved by

## Approval by Customer:

OK

NG, Problem survey

Approved By \_\_\_\_\_



深圳市亿显国际科技有限公司 ShenZhen Yes-Display International Technology CO.,LTD.			3.9 寸液晶显示屏 <b>3.9 Inch LCD Display Screen</b>	
<b>File NO.</b>	<b>YS-LCM-001</b>	<b>REV</b>	<b>A/01</b>	<a href="http://www.yes-display.com">http://www.yes-display.com</a>

## Contents

List	Description	Page No.
	Cover	1
	Revision Record	2
	Contents	3
1	Technical parameters	4
2	Block Dimension	5
3	Outline Dimensions	6
4	Input terminal Pin Assignment Description	7
5	LCD Optical Characteristics	8
6	TFT Electrical Characteristics	11
7	Timing Characteristics	13
8	Inspection Standard	16
9	Reliability Test Conditions and Methods	21
10	Cautions and Handling Precautions	23
11	Packing Method	26

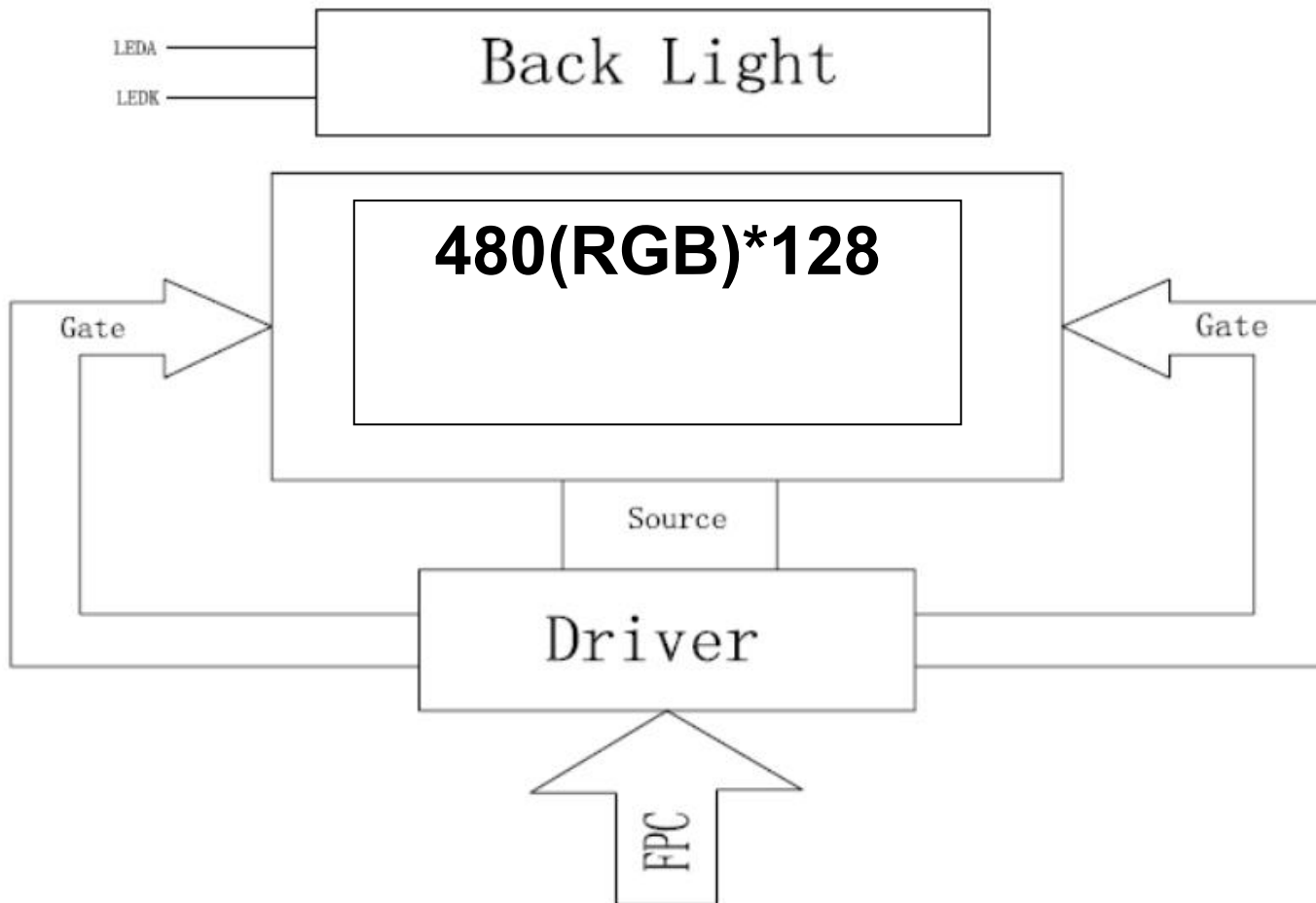
深圳市亿显国际科技有限公司 ShenZhen Yes-Display International Technology CO.,LTD.			3.9 寸液晶显示屏 <b>3.9 Inch LCD Display Screen</b>	
File NO.	YS-LCM-001	REV	A/01	<a href="http://www.yes-display.com">http://www.yes-display.com</a>

## 1. Technical parameters

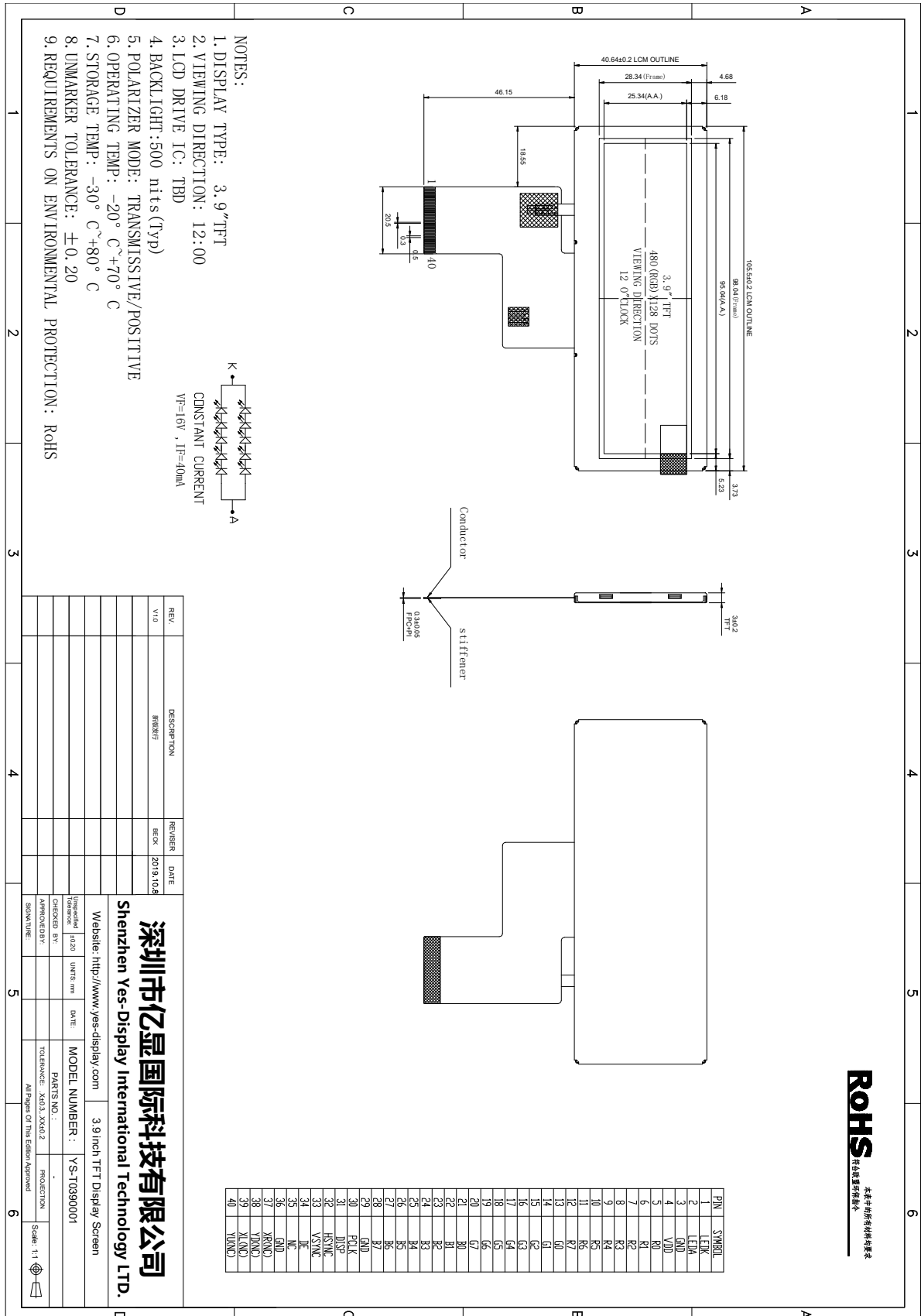
ITEM	STANDARD VALUES	UNITS
LCD type	3.9" TFT	--
Dot arrangement	480(RGB)×128	dots
Driver IC	ILI6480	--
Color filter array	RGB vertical stripe	--
Display mode	TN / Transmission / Normally White	-
Viewing Direction	12 O'clock	--
Module size	105.5(W)×40.64(H)×2.95(T)	mm
Active area	95.04(W)×25.34(H)	mm
Interface	24bit RGB	--
Operating temperature	-20 ~ +70	°C
Storage temperature	-30 ~ +80	°C
Back Light	White LED*10	--
Brightness	500Cd/m <sup>2</sup>	--
Weight	TBD	--

深圳市亿显国际科技有限公司 ShenZhen Yes-Display International Technology CO.,LTD.			3.9 寸液晶显示屏 <b>3.9 Inch LCD Display Screen</b>	
File NO.	YS-LCM-001	REV	A/01	<a href="http://www.yes-display.com">http://www.yes-display.com</a>

## 2. Block Dimension



### 3. Outline Dimensions



深圳市亿显国际科技有限公司 ShenZhen Yes-Display International Technology CO.,LTD.			3.9 寸液晶显示屏 <b>3.9 Inch LCD Display Screen</b>	
File NO.	YS-LCM-001	REV	A/01	<a href="http://www.yes-display.com">http://www.yes-display.com</a>

## 4. Input terminal Pin Assignment Description

### 4.1 TFT Pin Description

PIN NO.	PIN NAME	DESCRIPTION
1	LEDK	LED backlight (Cathode).
2	LEDA	LED backlight (Anode).
3	GND	Ground for logic.
4	VDD	Power supply for voltage
5-12	R0-R7	Red Data.
13-20	G0-G7	Green Data.
21-28	B0-B7	Blue Data.
29	GND	Ground for logic.
30	PCLK	Dot clock signal input. Latching input data at its rising edge.
31	DISP	Display on/off.
32	HSYNC	Horizontal sync input. Negative polarity.
33	VSYNC	Vertical sync input. Negative polarity.
34	DE	Data enable input. Active high to enable the input data bus.
35	NC	No connection
36	GND	Ground for logic.
37	XR(NC)	No connection
38	YD(NC)	No connection
39	XL(NC)	No connection
40	YU(NC)	No connection

### 4.2 TP Pin Description

TBD

## 5. LCD Optical Characteristics

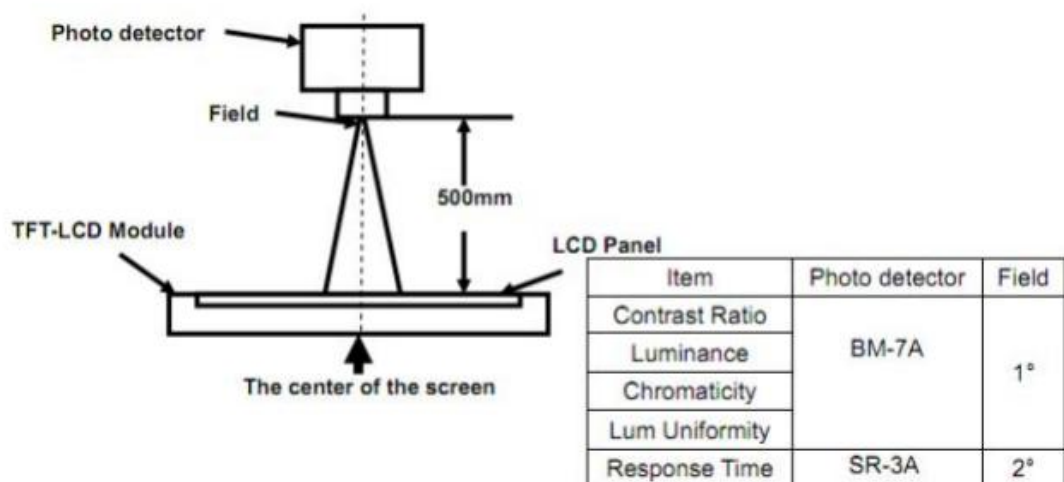
Items	Symbol	Condition	Min.	Typ.	Max.	Unit	Remark	
Viewing angles	$\theta_T$	Center CR $\geq$ 10	40	50	-	Degree.	Note2	
	$\theta_B$		60	70	-			
	$\theta_L$		60	70	-			
	$\theta_R$		60	70	-			
Contrast Ratio	CR	$\Theta = 0$	400	500	-	-	Note1, Note3	
Response Time	$T_{ON}$	25°C	-	10	20	ms	Note1, Note4	
	$T_{OFF}$		-	15	30			
Chromaticity	White	Backlight is on	$X_W$	0.26	0.31	0.36	-	Note1, Note5
			$Y_W$	0.28	0.33	0.38	-	
Uniformity	U		75	80	-	%	Note1, Note6	
NTSC				50		%	Note5	
Luminance	L		400	500	-	Nits	Note1, Note7	

Test Conditions:

1. IF= 20mA (one channel),the ambient temperature is 25°C.
2. The test systems refer to Note 1 and Note 2.

Note 1: Definition of optical measurement system.

The optical characteristics should be measured in dark room. After 5 minutes operation, the optical properties are measured at the center point of the LCD screen. All input terminals LCD panel must be ground when measuring the center area of the panel.



Note 2: Definition of viewing angle range and measurement system.

viewing angle is measured at the center point of the LCD by CONOSCOPE(ergo-80).

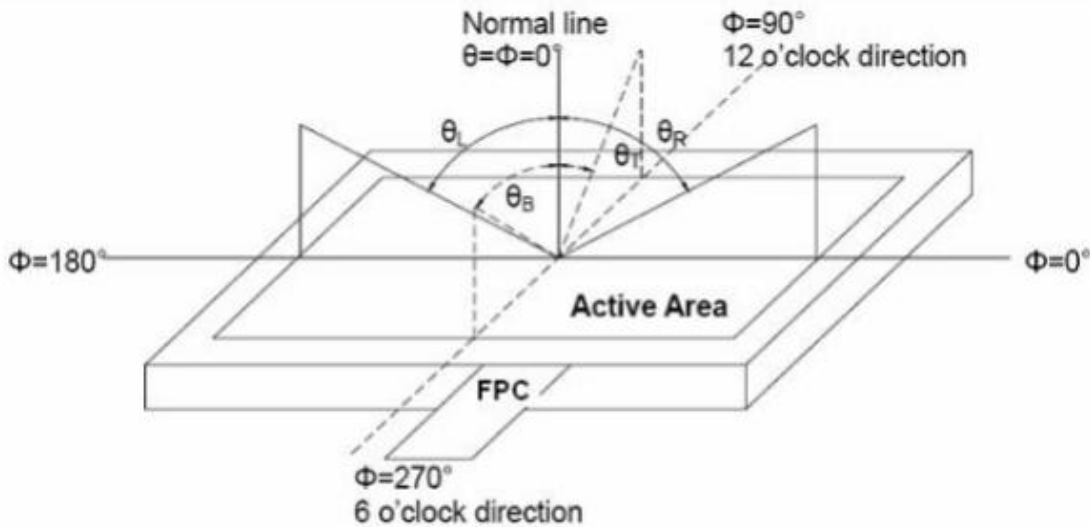


Fig. 1 Definition of viewing angle

Note 3: Definition of contrast ratio

$$\text{Contrast ratio (CR)} = \frac{\text{Luminance measured when LCD is on the "White" state}}{\text{Luminance measured when LCD is on the "Black" state}}$$

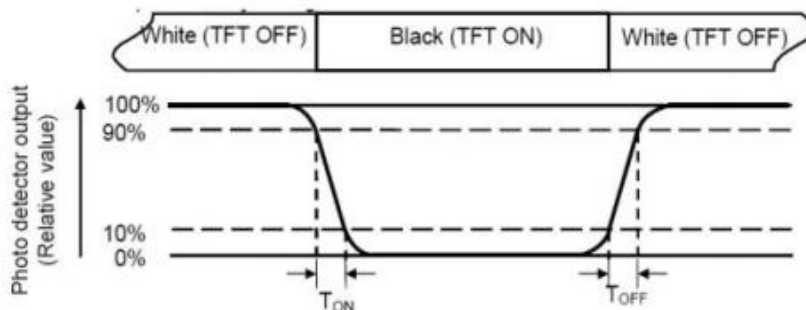
"White state": The state is that the LCD should driven by  $V_{\text{white}}$ .

"Black state": The state is that the LCD should driven by  $V_{\text{black}}$ .

$V_{\text{white}}$ : To be determined     $V_{\text{black}}$ : To be determined.

Note 4: Definition of Response time

The response time is defined as the LCD optical switching time interval between "White" state and "Black" state. Rise time ( $T_{\text{ON}}$ ) is the time between photo detector output intensity changed from 90% to 10%. And fall time ( $T_{\text{OFF}}$ ) is the time between photo detector output intensity changed from 10% to 90%.



Note 5: Definition of color chromaticity (CIE1931)

Color coordinates measured at center point of LCD.

Note 6: Definition of Luminance Uniformity

Active area is divided into 9 measuring areas (Refer Fig. 2). Every measuring point is placed at the center of each measuring area.

Luminance Uniformity (U) =  $L_{min}/L_{max} \times 100\%$

L-----Active area length W---- Active area width

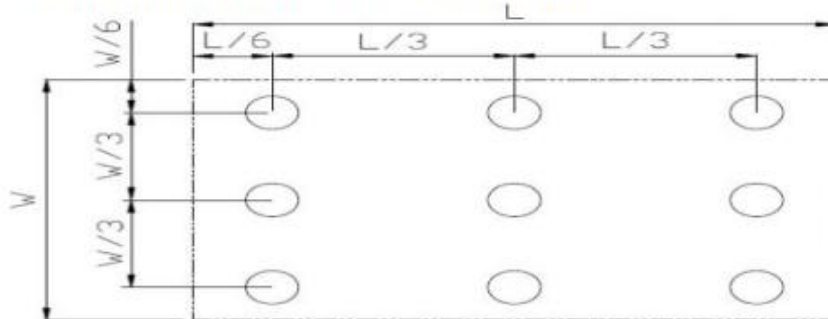


Fig. 2 Definition of uniformity

$L_{max}$ : The measured maximum luminance of all measurement position.

$L_{min}$ : The measured minimum luminance of all measurement position.

Note 7: Definition of Luminance:

Measure the luminance of white state at center point.

深圳市亿显国际科技有限公司 ShenZhen Yes-Display International Technology CO.,LTD.			3.9 寸液晶显示屏 <b>3.9 Inch LCD Display Screen</b>	
File NO.	YS-LCM-001	REV	A/01	<a href="http://www.yes-display.com">http://www.yes-display.com</a>

## 6. TFT Electrical Characteristics

### 6.1 Absolute Maximum Ratings

Item	Symbol	Min.	Max.	Unit
Logic Supply Voltage	VDD	-0.3	4.0	V
Input Voltage	Vin	-0.3	VDD+0.3	V
Operating Temperature	TOP	-20	70	°C
Storage Temperature	TST	-30	80	°C
Storage Humidity	HD	20	90	%RH

### 6.2 DC Characteristics

Item	Symbol	Min.	Typ.	Max.	Unit	Remark
Logic Supply Voltage	VDD	2.5	2.8	3.6	V	-
Input High Voltage	V <sub>IH</sub>	0.7VDD	-	VDD	V	-
Input Low Voltage	V <sub>IL</sub>	GND	-	0.3 VDD	V	-
Output High Voltage	V <sub>OH</sub>	0.8 VDD	-	VDD	V	-
Output Low Voltage	V <sub>OL</sub>	GND	-	0.2 VDD	V	-
I/O Leak Current	I <sub>LI</sub>	-1	-	1	uA	-
Supply Current	IDD	-	TBD	-	mA	-

### 6.3 LED Backlight Characteristics

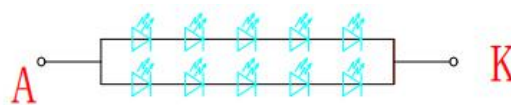


Figure: LED connection of backlight

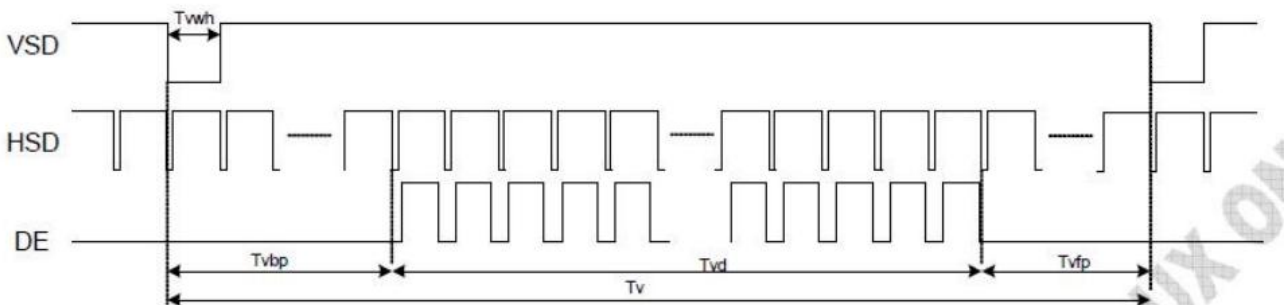
Item	Symbol	MIN	TYP	MAX	UNIT	Test Condition
Supply Voltage	V <sub>f</sub>	15	16	17.5	V	I <sub>f</sub> =40mA
Supply Current	I <sub>f</sub>	-	40	-	mA	-
Luminous Intensity for LCM	-	-	500	-	cd/m <sup>2</sup>	I <sub>f</sub> =40mA
Uniformity for LCM	-	-	80	-	%	I <sub>f</sub> =40mA
Life Time	-	-	50000	-	Hr	I <sub>f</sub> =40mA
Backlight Color	White					

## 7. Timing Characteristics

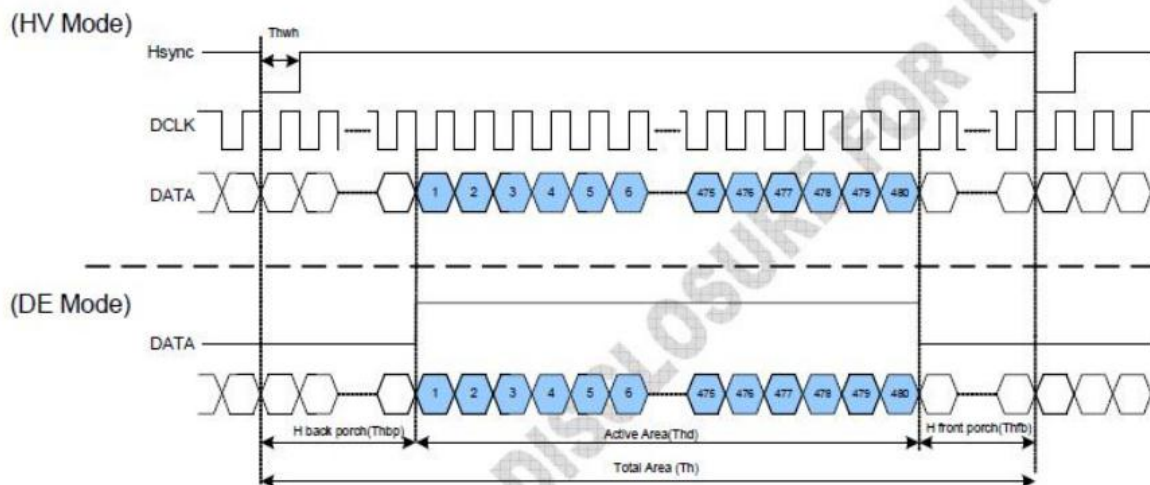
### 7.1 TFT Timing Characteristics

#### 7.1.1 Parallel RGB Interface Timing Characteristics

Vertical input timing



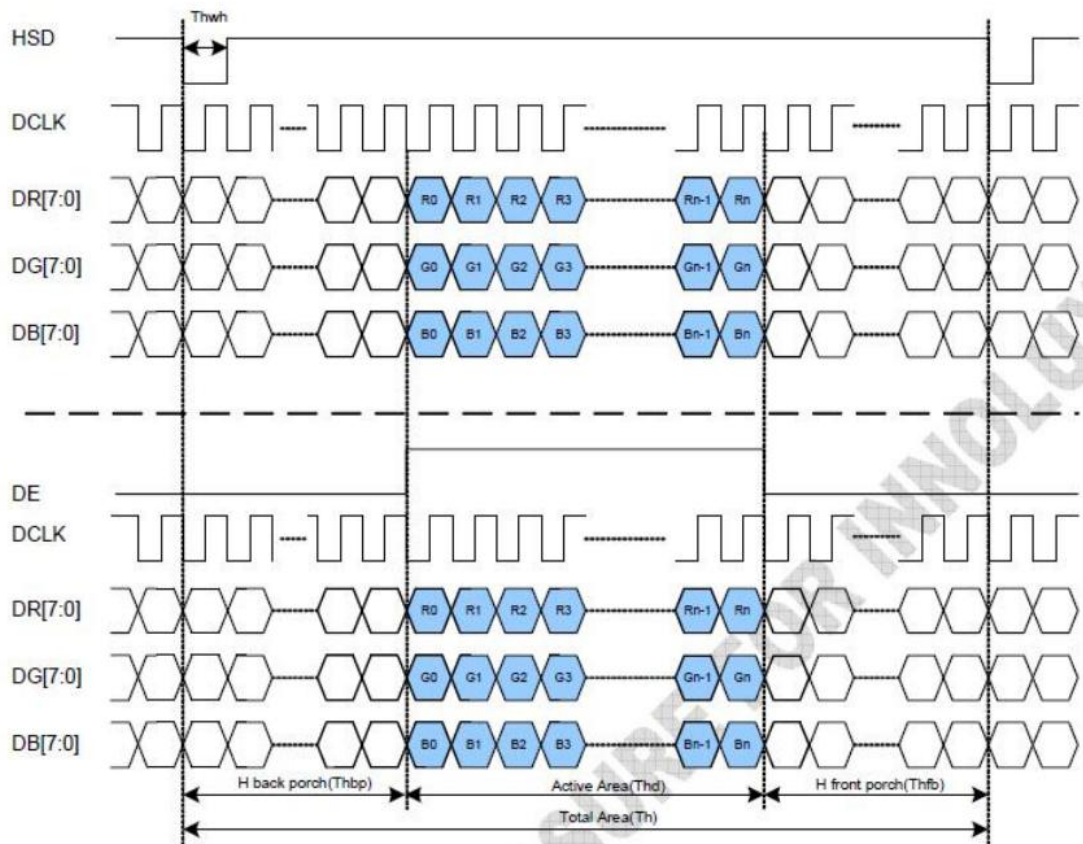
Serial 8-bit RGB Mode Data format



Parameters	Symbol	Min.	Typ.	Max.	Unit	Conditions
DCLK frequency	Fclk	24	27	30	MHz	
DCLK cycle time	Tclk	83	110	200	ns	
DCLK pulse duty	Tcwh	40	50	60	%	
Time from HSD to source output	Thso	-	13	-	DCLK	
Time from HSD to gate output	Thgo	-	27	-	DCLK	
Time from HSD to gate output off	Thgz	-	3	-	DCLK	
Time from HSD to VCOM	Thvc	-	12	-	DCLK	

Parallel RGB Mode Data format

(HV Mode)



Parameter	Symbol	Value			Unit
		Min	Typ	Max	
DCLK frequency	FCLK	5	9	12	MHZ
VSD period time	Tv	133	144	256	H
VSD display area	T <sub>VD</sub>	128	128	128	H
VSD back porch	T <sub>VB</sub>	3	8	31	H
VSD front porch	T <sub>VFP</sub>	2	8	97	H
HSD period time	T <sub>H</sub>	520	525	800	DCLK



深圳市亿显国际科技有限公司 ShenZhen Yes-Display International Technology CO.,LTD.				3.9 寸液晶显示屏 <b>3.9 Inch LCD Display Screen</b>	
<b>File NO.</b>	<b>YS-LCM-001</b>	<b>REV</b>	<b>A/01</b>	<b><a href="http://www.yes-display.com">http://www.yes-display.com</a></b>	

Symbol	Parameter	Related Pins	Spec.			Note	Unit
			Min.	Typ.	Max.		
tRESW	Reset low pulse width <sup>(1)</sup>	NRESET	10	-	-	-	μs
tREST	Reset complete time <sup>(2)</sup>	-	5	-	-	When reset applied during STB OUT mode	ms
		-	120	-	-	When reset applied during STB mode	ms
tPRES	Reset goes high level after Power on time	NRESET & IOVCC	1	-	-	Reset goes high level after Power on	ms

## 7.2 TP Timing Characteristics

**TBD**

深圳市亿显国际科技有限公司 ShenZhen Yes-Display International Technology CO.,LTD.			3.9 寸液晶显示屏 <b>3.9 Inch LCD Display Screen</b>	
File NO.	YS-LCM-001	REV	A/01	<a href="http://www.yes-display.com">http://www.yes-display.com</a>

## 8. Inspection Standard

### 8.1 Incoming Inspection and Standard:

The below incoming inspection are applied to the TFT LCM Modules supplied by ShenZhen Yes-Display International Technology CO.,LTD. The customers should inspect the LCM within 14 days after receiving the goods. The result of inspection should be notified to the Seller in the writing copy promptly, if the customer do not send them within 14 days, the seller has the right to judge as acceptance of goods. The inspection lot size is treated as the quantity per shipment and per model. The sampling plan shall be inspected under MIL-STD015E in Level II by single sampling. The acceptable quality level (AQL) are categorized as below grades:

CRITICAL= 0.4%, MAJOR= 0.65%, MINOR= 1.5%

### 8.2 Inspection condition and Warranty policy:

The delivered LCM should be stored properly, ideally under climate-controlled environment at 25 (±5) degree Celsius as well as 60% (±10) Relative Humidity. The LCM shall be inspected in the viewing angle of 45 degree from the four major angles (U/D/L/R) under the single fluorescent lamp of 20W (equal to 300 to 500 lux). For warranty, ShenZhen Yes-Display International Technology CO.,LTD. will provide 12 months of warranty period as standard, and provide the new replacement for the defective products which belong to the Seller's responsibility verified by the quality department.

### 8.3 Inspection Criteria:

#### 8.3.1 Critical defect

Item No.	Inspection content	Judgement
8.3.1.1	Functional defects	No display, abnormal display, short circuit, missing line, off-contrast and chromaticity, Touch Panel non-function
8.3.1.2	Model mixed	Other model mixed

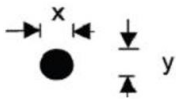
#### 8.3.2 Major defect:

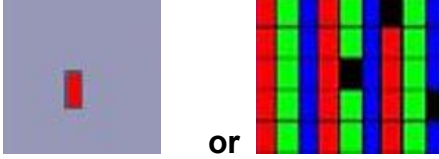
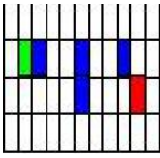
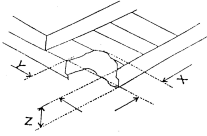
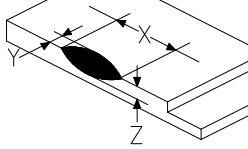
Item No.	Inspection content	Judgement
8.3.2.1	Product indication	Missing model no. and wrong model no. is indicated on the LCM.
8.3.2.2	Glass cracking	The LCD and touch panel glass crack or breakage

深圳市亿显国际科技有限公司 ShenZhen Yes-Display International Technology CO.,LTD.			3.9 寸液晶显示屏 <b>3.9 Inch LCD Display Screen</b>	
File NO.	YS-LCM-001	REV	A/01	<a href="http://www.yes-display.com">http://www.yes-display.com</a>

8.3.2.3	Missing component	The function component missing such as connector, cable, etc.
---------	-------------------	---------------------------------------------------------------

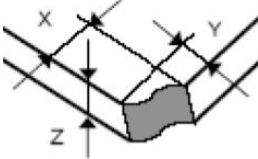
**8.3.3 Minor defect (LCD) :**

Item No.	Inspection content	Judgement												
8.3.3.1	Black/White spot Foreign particles Dust in the cell	$\varphi = (x+y) / 2$  <table border="1"> <thead> <tr> <th>Diameter (mm)</th> <th>Acceptable Q'ty</th> </tr> </thead> <tbody> <tr> <td><math>\Phi \leq 0.1</math></td> <td>Ignore</td> </tr> <tr> <td><math>0.1 &lt; \Phi \leq 0.25</math></td> <td>3 (Distance&gt;5mm)</td> </tr> <tr> <td><math>0.25 &lt; \Phi</math></td> <td>Not allowed</td> </tr> </tbody> </table>	Diameter (mm)	Acceptable Q'ty	$\Phi \leq 0.1$	Ignore	$0.1 < \Phi \leq 0.25$	3 (Distance>5mm)	$0.25 < \Phi$	Not allowed				
Diameter (mm)	Acceptable Q'ty													
$\Phi \leq 0.1$	Ignore													
$0.1 < \Phi \leq 0.25$	3 (Distance>5mm)													
$0.25 < \Phi$	Not allowed													
8.3.3.2	Linear defect Black/white line Black/white scratch	<table border="1"> <thead> <tr> <th>Length(mm)</th> <th>Width (mm)</th> <th>Acceptable Q'ty</th> </tr> </thead> <tbody> <tr> <td></td> <td><math>W \leq 0.03</math></td> <td>Ignore</td> </tr> <tr> <td><math>L \leq 5.0</math></td> <td><math>0.03 &lt; W \leq 0.07</math></td> <td>3</td> </tr> <tr> <td></td> <td><math>0.07 &lt; W</math></td> <td>Follow 8.3.3.1</td> </tr> </tbody> </table>	Length(mm)	Width (mm)	Acceptable Q'ty		$W \leq 0.03$	Ignore	$L \leq 5.0$	$0.03 < W \leq 0.07$	3		$0.07 < W$	Follow 8.3.3.1
Length(mm)	Width (mm)	Acceptable Q'ty												
	$W \leq 0.03$	Ignore												
$L \leq 5.0$	$0.03 < W \leq 0.07$	3												
	$0.07 < W$	Follow 8.3.3.1												
8.3.3.3	Polarizer Bubbles Dent on polarizer	<table border="1"> <thead> <tr> <th>Diameter (mm)</th> <th>Acceptable Q'ty</th> </tr> </thead> <tbody> <tr> <td><math>\Phi \leq 0.2</math></td> <td>Ignore</td> </tr> <tr> <td><math>0.2 &lt; \Phi \leq 0.5</math></td> <td>2 (Distance&gt;5mm)</td> </tr> <tr> <td><math>0.5 &lt; \Phi</math></td> <td>Not allowed</td> </tr> </tbody> </table>	Diameter (mm)	Acceptable Q'ty	$\Phi \leq 0.2$	Ignore	$0.2 < \Phi \leq 0.5$	2 (Distance>5mm)	$0.5 < \Phi$	Not allowed				
Diameter (mm)	Acceptable Q'ty													
$\Phi \leq 0.2$	Ignore													
$0.2 < \Phi \leq 0.5$	2 (Distance>5mm)													
$0.5 < \Phi$	Not allowed													

<p>8.3.3.4</p>	<p>Electrical Defect Dot</p>	<p>Bright dot and Dark dot definition:</p>  <p>or</p>  <p>(Two adjacent dot)</p> <p>Inspection pattern: black, white, red, green, and blue screen.</p> <table border="1" data-bbox="730 730 1441 913"> <thead> <tr> <th>Items</th> <th>Acceptable Q'ty</th> </tr> </thead> <tbody> <tr> <td>Bright dot</td> <td><math>N \leq 4</math> (Distance &gt;5mm)</td> </tr> <tr> <td>Dark dot</td> <td><math>N \leq 4</math> (Distance &gt;5mm)</td> </tr> </tbody> </table>	Items	Acceptable Q'ty	Bright dot	$N \leq 4$ (Distance >5mm)	Dark dot	$N \leq 4$ (Distance >5mm)
Items	Acceptable Q'ty							
Bright dot	$N \leq 4$ (Distance >5mm)							
Dark dot	$N \leq 4$ (Distance >5mm)							
<p>8.3.3.5</p>	<p>Glass Defect- Corner chipping</p>	 <table border="1" data-bbox="730 1104 1441 1375"> <thead> <tr> <th>Size(mm)</th> <th>Judgement</th> </tr> </thead> <tbody> <tr> <td> <math>X \leq 3\text{mm}</math>, <math>Y \leq S</math>,  <math>Z \leq T</math>                      (S= ITO length,                      T=Single glass                      thickness)                 </td> <td>Accept</td> </tr> </tbody> </table>	Size(mm)	Judgement	$X \leq 3\text{mm}$ , $Y \leq S$ , $Z \leq T$ (S= ITO length, T=Single glass thickness)	Accept		
Size(mm)	Judgement							
$X \leq 3\text{mm}$ , $Y \leq S$ , $Z \leq T$ (S= ITO length, T=Single glass thickness)	Accept							
<p>8.3.3.6</p>	<p>Glass Defect- Side fragment</p>	 <table border="1" data-bbox="730 1574 1441 1787"> <thead> <tr> <th>Size(mm)</th> <th>Judgement</th> </tr> </thead> <tbody> <tr> <td> <math>X \leq 2 \text{ mm}</math>, <math>Y \leq \text{border edge}</math>  <math>Z \leq T</math>                      (T= single glass thickness)                 </td> <td>Accept</td> </tr> </tbody> </table>	Size(mm)	Judgement	$X \leq 2 \text{ mm}$ , $Y \leq \text{border edge}$ $Z \leq T$ (T= single glass thickness)	Accept		
Size(mm)	Judgement							
$X \leq 2 \text{ mm}$ , $Y \leq \text{border edge}$ $Z \leq T$ (T= single glass thickness)	Accept							

8.3.4 Minor defect (Touch Panel)

Item No.	Inspection content	Judgement
----------	--------------------	-----------

8.3.4.1	Scratch, dust, particles, foreign materials in "linear type"	Size (mm)	Acceptable Q'ty
		$W \leq 0.05\text{mm}, L \leq 10\text{mm}$	Ignore
		$0.05\text{mm} < W \leq 0.07\text{mm}, L \leq 10\text{mm}$	3
		$W > 0.07\text{mm}$	Reject
8.3.4.2	Scratch, dust, particles, foreign materials in "round type"	Diameter (mm)	Acceptable Q'ty
		$\Phi \leq 0.25\text{mm}$	Ignore
		$0.25\text{mm} < \Phi \leq 0.35\text{mm}$	5
		$\Phi > 0.35\text{mm}$	Reject
8.3.4.3	Air bubbles	Diameter (mm)	Acceptable Q'ty
		$\Phi \leq 0.2\text{mm}$	Ignore
		$0.2\text{mm} < \Phi \leq 0.5\text{mm}$	3
		$\Phi > 0.5\text{mm}$	Reject
8.3.4.5	Scratch on printing area	Size (mm)	Acceptable Q'ty
		$W \leq 0.03\text{mm}, L \leq 5\text{mm}$	Ignore
		$0.03\text{mm} < W \leq 0.05\text{mm}, L \leq 5\text{mm}$	3
		$W > 0.05\text{mm}$ or $L > 5\text{mm}$	Reject
8.3.4.6	Corner chipping		
		Size(mm)	Judgement
		$X \leq 2\text{mm}, Y \leq 2\text{mm}$ $Z < 1/2T$ (T= single glass thickness)	Accept

File NO.

YS-LCM-001

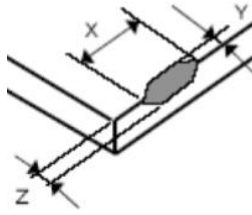
REV

A/01

<http://www.yes-display.com>

8.3.4.7

Edge chipping



Size(mm)	Judgement
$X \leq 3 \text{ mm}$ , $Y \leq 3 \text{ mm}$ $Z \leq 1/2 T$ (T= single glass thickness)	Accept

深圳市亿显国际科技有限公司 ShenZhen Yes-Display International Technology CO.,LTD.			3.9 寸液晶显示屏 <b>3.9 Inch LCD Display Screen</b>	
File NO.	YS-LCM-001	REV	A/01	<a href="http://www.yes-display.com">http://www.yes-display.com</a>

## 9. Reliability Test Conditions and Methods

### 9.1 Reliability Test Conditions and Methods:

NO.	TEST ITEMS	TEST CONDITION	INSPECTION AFTER TEST
①	High Temperature Storage	80°C±2°C×96Hours	Inspection after 2~4hours storage at room temperature, the samples should be free from defects: 1, Air bubble in the LCD. 2, Seal leak. 3, Non-display. 4, Missing segments. 5, Glass crack. 6, Current IDD is twice higher than initial value. 7, The surface shall be free from damage. 8, The electric characteristic requirements shall be satisfied.
②	Low Temperature Storage	-30°C±2°C×96Hours	
③	High Temperature Operating	70°C±2°C×96Hours	
④	Low Temperature Operating	-20°C±2°C×96Hours	
⑤	Temperature Cycle(Storage)	-20°C ↔ 25°C ↔ 70°C (30min) ← (5min) → (30min) 1cycle Total 10cycle	
⑥	Damp Proof Test (Storage)	50°C±5°C×90%RH×96Hours	
⑦	Vibration Test	Frequency:10Hz~55Hz~10Hz Amplitude:1.5MM X,Y,Z direction for total 3hours (packing condition test will be tested by a carton)	
⑧	Drooping Test	Drop to the ground from 1M height one time every side of carton. (packing condition test will be tested by a carton)	
⑨	ESD Test	Voltage:±8KV,R:330Ω,C:150PF,Air Mode,10times	

<b>深圳市亿显国际科技有限公司</b> <b>ShenZhen Yes-Display International Technology CO.,LTD.</b>			<b>3.9 寸液晶显示屏</b> <b>3.9 Inch LCD Display Screen</b>	
<b>File NO.</b>	<b>YS-LCM-001</b>	<b>REV</b>	<b>A/01</b>	<b><a href="http://www.yes-display.com">http://www.yes-display.com</a></b>

REMARK:

- 1, The Test samples should be applied to only one test item.
- 2, Sample side for each test item is 5~10pcs.
- 3, For Damp Proof Test, Pure water(Resistance > 10MΩ) should be used.
- 4, In case of malfunction defect caused by ESD damage, if it would be recovered to normal state after resetting, it would be judge as a good part.
- 5, EL evaluation should be accepted from reliability test with humidity and temperature: Some defects such as black spot/blemish can happen by natural chemical reaction with humidity and Fluorescence EL has.
- 6, Failure Judgment Criterion: Basic Specification Electrical Characteristic, Mechanical Characteristic, Optical Characteristic.

深圳市亿显国际科技有限公司 ShenZhen Yes-Display International Technology CO.,LTD.			3.9 寸液晶显示屏 <b>3.9 Inch LCD Display Screen</b>	
File NO.	YS-LCM-001	REV	A/01	<a href="http://www.yes-display.com">http://www.yes-display.com</a>

## 10. Cautions and Handling Precautions

### 10.1 Mounting method

The LCD panel of TFT module consists of two thin glass plates with polarizes which easily be damaged. And since the module in so constructed as to be fixed by utilizing fitting holes in the printed circuit board.

Extreme care should be needed when handling the LCD modules.

### 10.2 Caution of LCD handling and cleaning

When cleaning the display surface, Use soft cloth with solvent

[Recommended below] and wipe lightly

- Isopropyl alcohol
- Ethyl alcohol

Do not wipe the display surface with dry or hard materials that will damage the polarizer surface.

Do not use the following solvent:

- Water
- Aromatics

Do not wipe ITO pad area with the dry or hard materials that will damage the ITO patterns

Do not use the following solvent on the pad or prevent it from being contaminated:

- Soldering flux
- Chlorine (Cl) , Sulfur (S)

If goods were sent without being silicon coated on the pad, ITO patterns could be damaged due to the corrosion as time goes on.

If ITO corrosion happen by miss-handling or using some materials such as Chlorine (Cl), Sulfur (S) from customer, Responsibility is on customer.

### 10.3 Caution against static charge

The LCD module use C-MOS LSI drivers, so we recommended that you:

Connect any unused input terminal to power or ground, do not input any signals before power is turned on, and ground your body, work/assembly areas, and assembly equipment to protect against static electricity.

深圳市亿显国际科技有限公司 ShenZhen Yes-Display International Technology CO.,LTD.			3.9 寸液晶显示屏 <b>3.9 Inch LCD Display Screen</b>	
File NO.	YS-LCM-001	REV	A/01	<a href="http://www.yes-display.com">http://www.yes-display.com</a>

## 10.4 packing

- Module employs LCD elements and must be treated as such.
- Avoid intense shock and falls from a height.
- To prevent modules from degradation, do not operate or store them exposed direct to sunshine or high temperature/humidity

## 10.5 Caution for operation

- It is an indispensable condition to drive LCD's within the specified voltage limit since the higher voltage then the limit cause the shorter LCD life.
- An electrochemical reaction due to direct current causes LCD's undesirable deterioration, so that the use of direct current drive should be avoided.
- Response time will be extremely delayed at lower temperature then the operating temperature range and on the other hand at higher temperature LCD's how dark color in them. However those phenomena do not mean malfunction or out of order with LCD's, which will come back in the specified operation temperature.
- If the display area is pushed hard during operation, some font will be abnormally displayed but it resumes normal condition after turning off once.
- Slight dew depositing on terminals is a cause for electro-chemical reaction resulting in terminal open circuit.

Usage under the maximum operating temperature, 50%Rh or less is required.

## 10.6 storing

In the case of storing for a long period of time for instance, for years for the purpose or replacement use, the following ways are recommended.

- Storage in a polyethylene bag with the opening sealed so as not to enter fresh air outside in it. And with no desiccant.
- Placing in a dark place where neither exposure to direct sunlight nor light's keeping the storage temperature range.
- Storing with no touch on polarizer surface by the anything else.

[It is recommended to store them as they have been contained in the inner container at the time of delivery from us

## 10.7 Safety

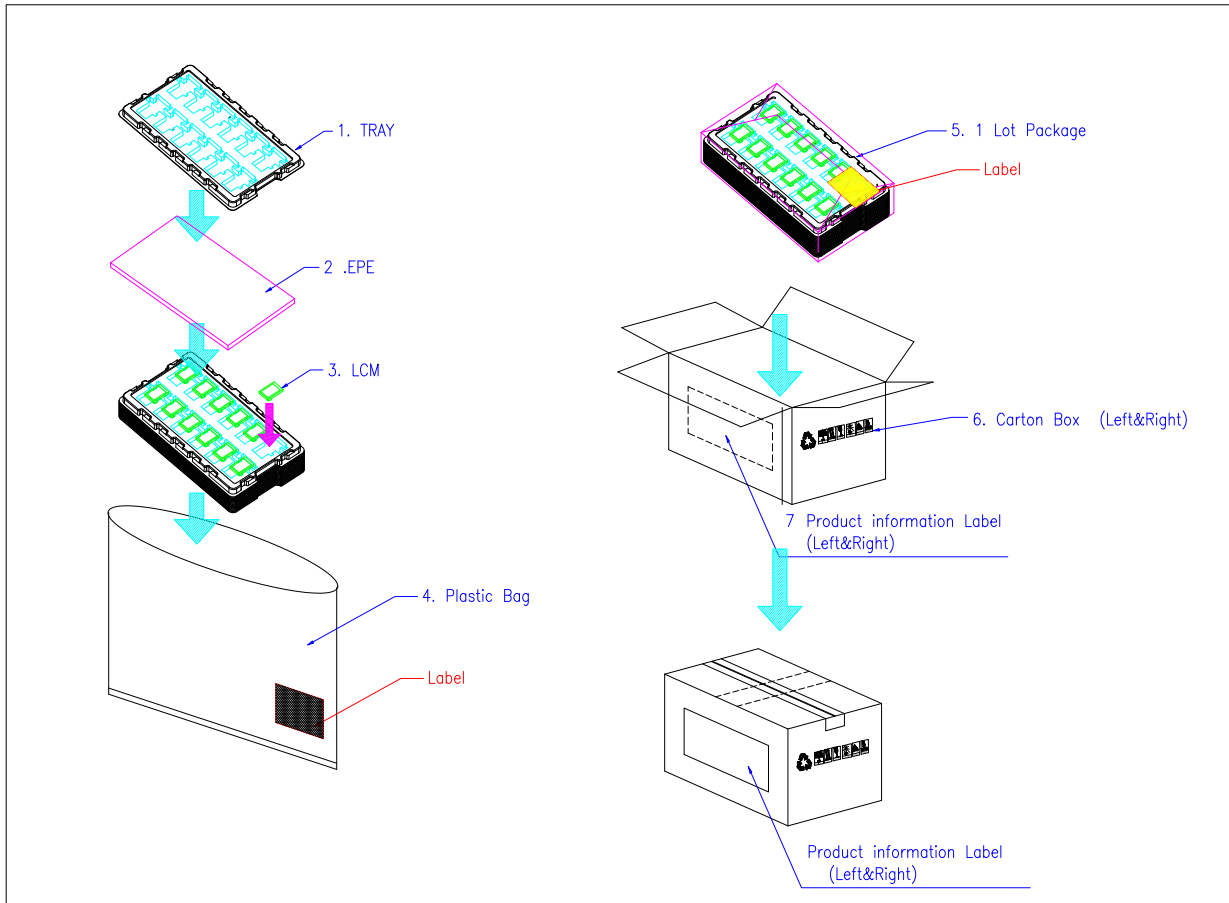
- It is recommendable to crash damaged or unnecessary LCD's into pieces and wash off liquid crystal by either of solvents such as acetone and ethanol, which should be burned up later.

<b>深圳市亿显国际科技有限公司</b> <b>ShenZhen Yes-Display International Technology CO.,LTD.</b>				<b>3.9 寸液晶显示屏</b> <b>3.9 Inch LCD Display Screen</b>
<b>File NO.</b>	<b>YS-LCM-001</b>	<b>REV</b>	<b>A/01</b>	<b><a href="http://www.yes-display.com">http://www.yes-display.com</a></b>

- When any liquid leaked out of a damaged glass cell comes in contact with your hands, please wash it off well with soap and water

## 11. Packing Method

### 11.1 Method



### 11.2 Packing Label

TBD