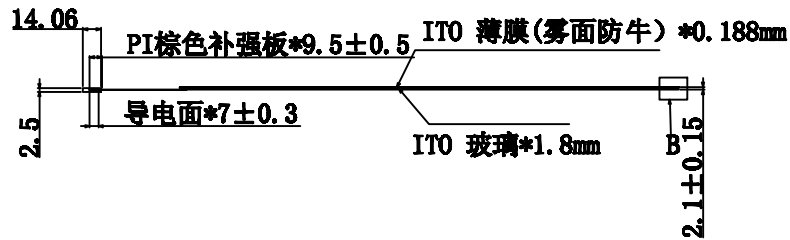
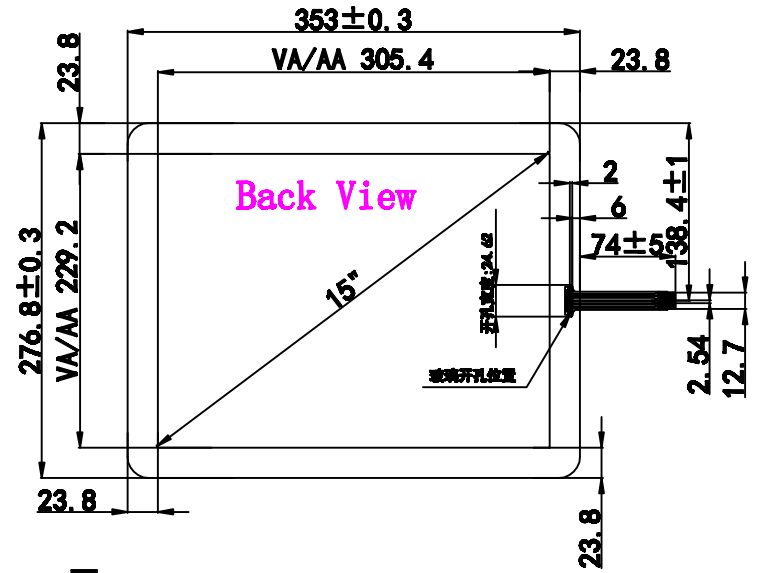
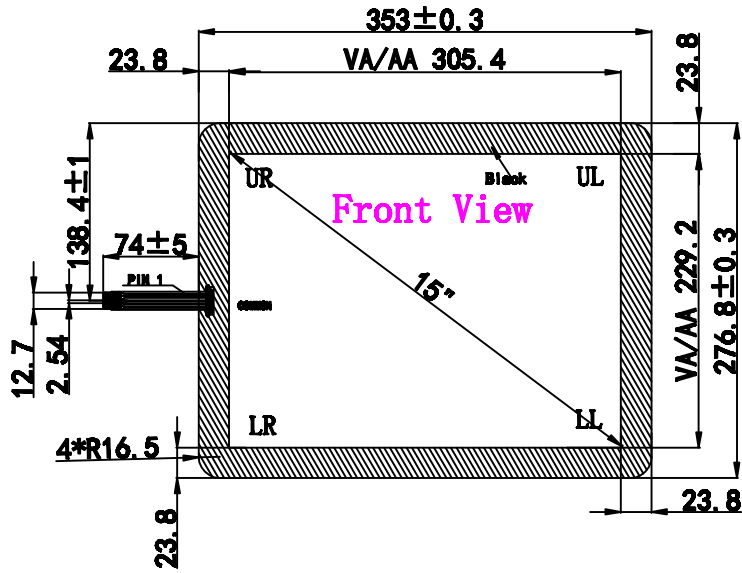
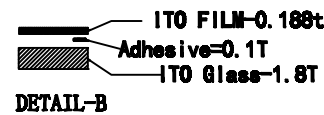
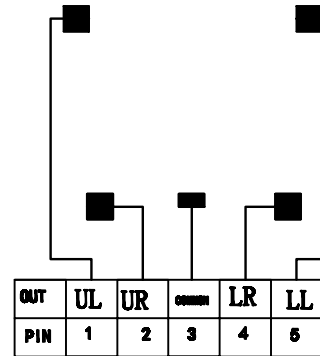


由 Autodesk 教育版产品制作



- Instruction:
1. Type: Film to Glass
 2. Operating Voltage: 3~7 V
 3. Response Time: <10ms
 4. Storage Temperature: -20 °C~+70 °C
 5. Operation Temperature/Humidity: -10 °C~+60 °C/ 20%~95%
 6. Hitting Life:>10,000,000 Times, 250gf Force;
 7. Writing Life:>1,000,000 Times 250gf Force;
 8. Contact Material: FPO+PIN

9. Film Thickness: 0.188mm
10. Glass Thickness: 1.8mm
11. Light transmission: ≥78%
12. Force: 100g or less
13. Linearity: ≤3.5%
14. Insulation: ≥20M Ω
15. Surface Hardness: ≥3H (pencil)
16. 未标注公差为±0.2mm



MODEL NO.	CP-150A5BC014	UNIT:	mm
DRAWN:		TOLERANCE:	±0.3
DATE:	16/07/16	SCALE:	1:1
VERSION:	1.0	REV:	