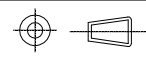
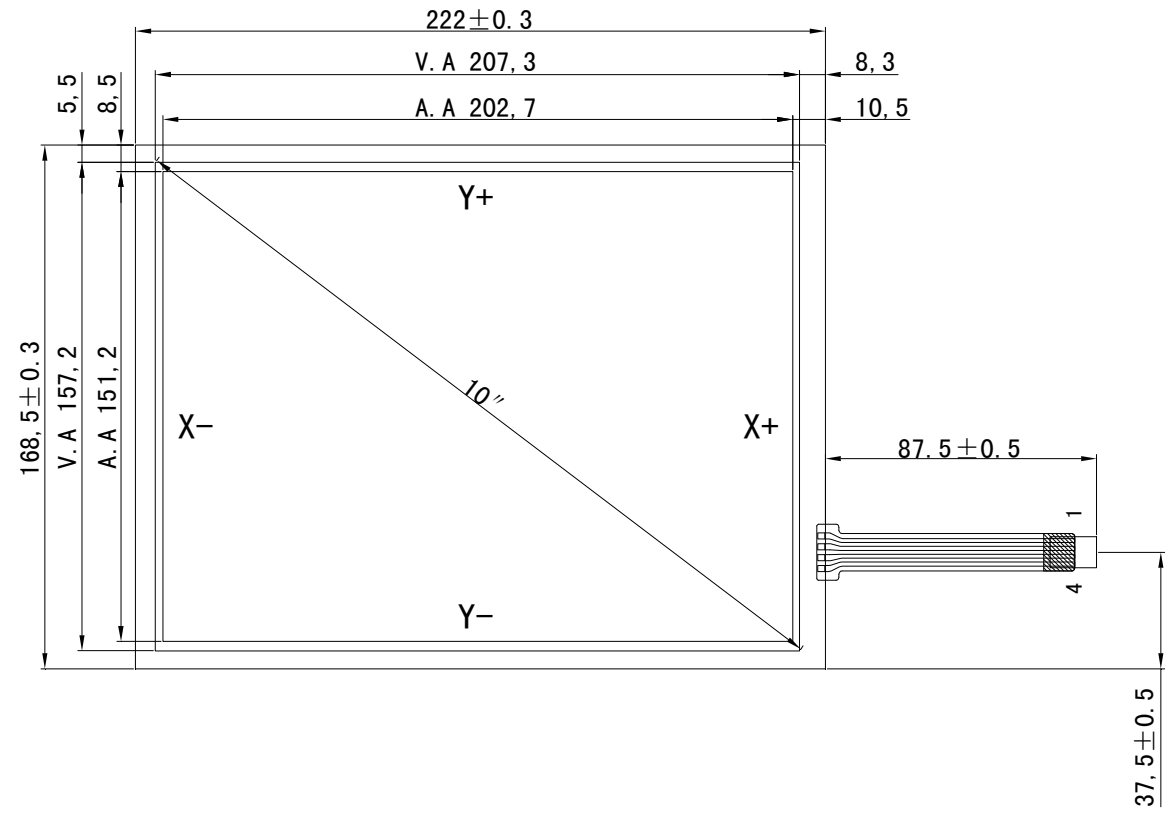
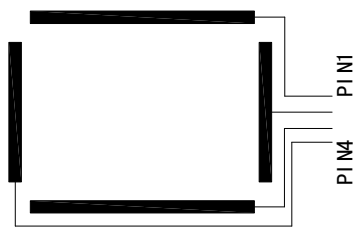


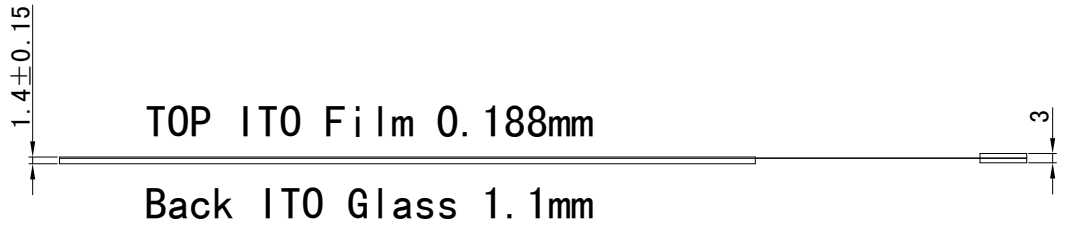
VERSION	MODIFY	DATE



PIN	Assignment
1	Y+
2	X+
3	Y-
4	X-



- Notes:
1. Type: Film to Glass
 2. Operating Voltage: $\leq 10V$
 3. Operation Temperature: $-10^{\circ}C \sim 60^{\circ}C$
Storage Temperature: $-20^{\circ}C \sim 70^{\circ}C$
 4. Life Time: $> 1,000,000$ times
 5. Connect Material: FPC
 6. Response Time: $\leq 10ms$
 7. Linearity: $\leq 1.5\%$
 8. Transmittance: $\geq 80\%$
 9. Surface Hardness $\geq 3H$ (pencil)
 10. Operation force: $20g \sim 80g$
 11. Resistance: X : $250\Omega - 450\Omega$
Y : $450\Omega - 800\Omega$



MODEL NO.	DRAWN:	DATE:	VERSION:	UNIT:	TOLERANCE:	SCALE:	REV:
CP-10A4N2			1.0	MM	± 0.2	1:1	