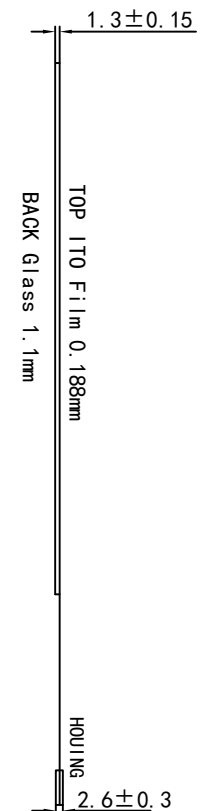
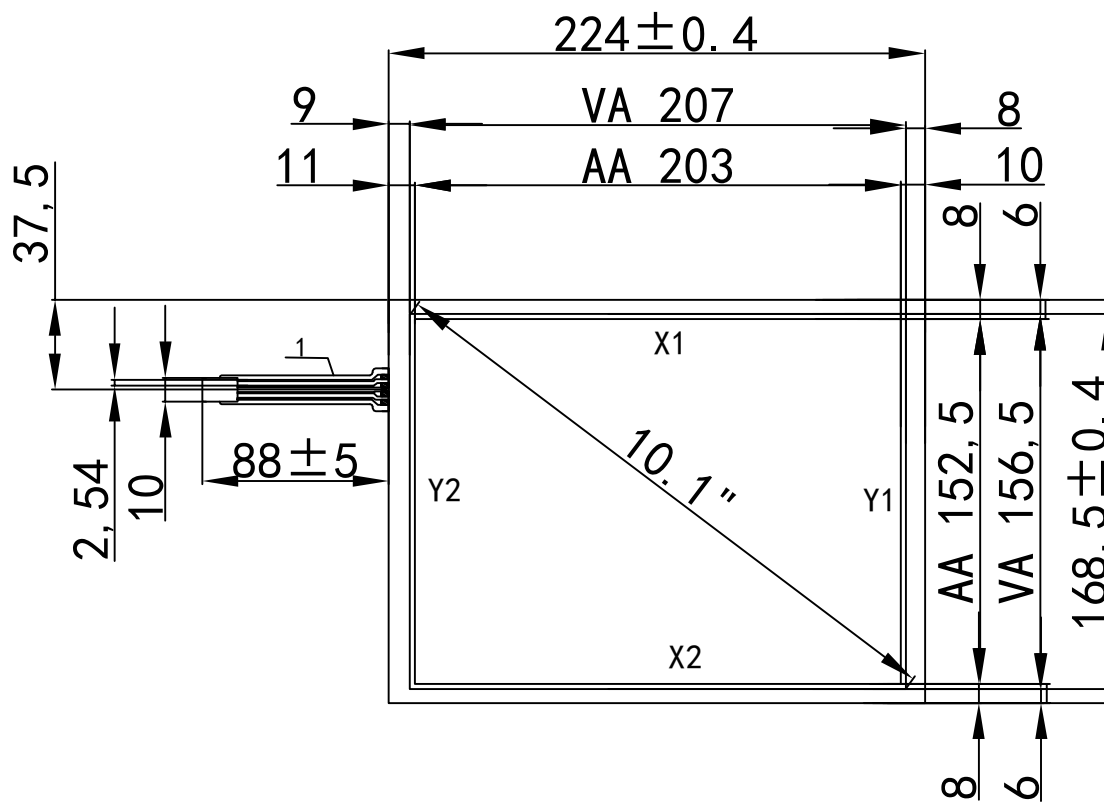
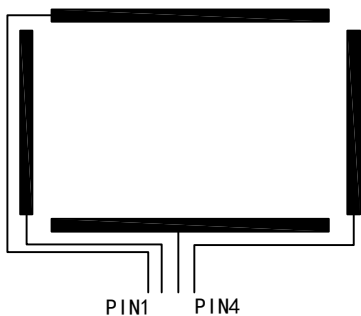


PIN	Assignment
1	Y1
2	X1
3	Y2
4	X2



Notes:

- 1. Type: Film to Glass
- 2. Operating Voltage:  $\leq 10V$
- 3. Operation Temperature:  $-10^{\circ}C \sim 60^{\circ}C$  Storage Temperature:  $-20^{\circ}C \sim 70^{\circ}C$
- 4. Life Time:  $> 1,000,000$  times
- 5. Connect Material: FPC
- 6. Response Time:  $\leq 10ms$
- 7. Linearity:  $\leq 1.5\%$
- 8. Transmittance:  $\geq 78\%$
- 9. Surface Hardness  $\geq 3H$  (pencil)
- 10. Operation force:  $20g \sim 100g$
- 11. Resistance: Y:  $200\Omega \sim 600\Omega$  X:  $250\Omega \sim 700\Omega$

MODEL NO.	CP-101A4B002	UNIT:	MM
DRAWN:		TOLERANCE:	$\pm 0.3$
DATE:		SCALE:	1:1
VERSION:	1.0	REV:	