



PRODUCT SPECIFICATIONS

For Customer: _____ : APPROVAL FOR SPECIFICATION

Customer Model No. _____ : APPROVAL FOR SAMPLE

Module No.: BLW101SGI01

Date : 2019.11.04

Version :2

Table of Contents

No.	Item	Page
1	Cover Sheet(Table of Contents)	
2	Revision Record	
3	General Specifications	
4	Pin Assignment	
5	Outline.Drawing	
6	Absolute Maximum Ratings	
7	Electrical Specifications and Instruction Code	
8	Optical Characteristics	
9	Reliability Test Items and Criteria	
10	Quality Level	
11	Precautions for Use of LCD Modules	
12	Packing Reliability	

For Customer's Acceptance:

Approved By	Comment

PREPARED	CHECKED	VERIFIED BY QA DEPT	VERIFIED BY R&D DEPT



3. General Specifications

BLW101SGI01 is a TFT-LCD module. It is composed of a TFT-LCD panel, driver IC, FPC, a back light unit. The 10.1" display area contains 800 x 1280 pixels and can display up to 16.7M colors. This product accords with ROHS environmental criterion.

Item	Contents	Unit	Note
LCD Type	TFT	-	
Display color	16.7M		1
Viewing Direction	ALL	O'Clock	
Operating temperature	-10~+50	°C	
Storage temperature	-20~+60	°C	
Module size	Refer to outline drawing	mm	2
Active Area(W×H)	135.36 x 216.58	mm	
Number of Dots	800×RGB×1280	dots	
Outline Dimensions	Refer to outline drawing	-	
Backlight	28-LEDs (white)	pcs	
Weight	---	g	
Data Transfer	LVDS	-	

Note 1: Color tune is slightly changed by temperature and driving voltage.

Note 2: Without FPC and Solder.



东莞市宝龙微电子科技有限公司

4.Outline. Drawing

东莞市宝龙微电子科技有限公司

模组图

DIMENSIONAL TOLERANCE (±)						
尺寸范围(±)						
公差等级	0.2	0.5	1.5	6.0	15.0	30.0
□ A	0.05	0.10	0.15	0.20	0.25	0.30
□ B	0.10	0.15	0.20	0.25	0.30	0.35

UNLESS OTHERWISE SPECIFIED
没指定尺寸

备注：玻璃FPC弯折出货

BM-7测试

参数	SYMBOL	MIN	TYP	MAX	单位	备注
中心点亮度	Iv ■ LCM	250	280		cd/m2	电路原理图: 驱动电流: 80mA
背光色坐标范围	X					
	Y					
棕绿色坐标范围	X	0.260	0.310	0.360		
	Y	0.280	0.330	0.380		
驱动电压	Vf	18.2	21.0	23.8	V	
反向电流	Ir		50		uA	Vf=10V, *1
均匀性	Iv-m	75	80		%	(min/max)*100
最大额定功率					mW	

REVISON 版本	A1	<input checked="" type="checkbox"/> 正式规格	<input type="checkbox"/> 临时规格	REVISE 修订人	MODEL NO 产品料号	APPROVED BY 批准	CHECKED BY 审核	DRAWN BY 绘图
DATE 日期	2019.09.26			曹岸霖	BLW101SGIO			
PAGE 页码	2/3							



5.Pin Assignment

DF14A-20P-1.25H

Pin No.	Symbol	I/P	Function	Remark
1	VDDIN	P	Power supply VDDIN=3.3V	
2	VDDIN	P	Power supply VDDIN=3.3V	
3	LED-EN	I	Backlight Enable Signal,3.3V~5V	
4	GND	P	Ground	
5	RXIN0N	I	-LVDS differential data	
6	RXIN0P	I	+LVDS differential data	
7	GND	P	Ground	
8	RXIN1N	I	-LVDS differential data	
9	RXIN1P	I	+LVDS differential data	
10	GND	P	Ground	
11	RXIN2N	I	-LVDS differential data	
12	RXIN2P	I	+LVDS differential data	
13	GND	P	Ground	
14	RX-CLKN	I	-LVDS differential clock input	
15	RX-CLKP	I	+LVDS differential clock input	
16	GND	P	Ground	
17	RXIN3N	I	-LVDS differential data	
18	RXIN3P	I	+LVDS differential data	
19	PWM	I	Backlight brightness PWM signal	
20	VLED	P	Power supply VLED=5~12V(Typ.)	

Note: I/O definition:

I: input, O: output, P: Power,

-: No Connection



6. Absolute Maximum Ratings(Ta=25°C)

6.1 Electrical Absolute Maximum Ratings.(Vss=0V ,Ta=25°C)

Item	Symbol	Min.	Typ.	Max	Unit	Note
Power Supply Voltage	V _{DD}	-0.3	3.3	3.6	V	1, 2
	AVDD				V	
	VGH				V	
	VGL				V	
	VLED	3.3	5	12	V	
Logic Signal Input	V _{DDIO}	-	-	-	V	
Current of LED	I _{LED}	-	-	-	mA	

Notes:

1. If the module is above these absolute maximum ratings. It may become permanently damaged.
Using the module within the following electrical characteristic conditions are also exceeded, the module will malfunction and cause poor reliability.
2. V_{CC} > V_{SS} must be maintained.

6.2 Environmental Absolute Maximum Ratings.

Item	Storage		Operating		Note
	MIN.	MAX.	MIN.	MAX.	
Ambient Temperature	-20°C	60°C	-10°C	50°C	1,2
Humidity	-	-	-	-	3

1. The response time will become lower when operated at low temperature.
2. Background color changes slightly depending on ambient temperature.

The phenomenon is reversible.

3. Ta≤40°C:85%RH MAX.

Ta>40°C:Absolute humidity must be lower than the humidity of 85%RH at 40°C.



7.LED backlight specification(VSS=0V ,Ta=25°C)

Item	Symbol	Condition	Min	Typ	Max	Unit	Note
VLED Supply voltage	-	-	-3.3	5	12-	V	1
PWM Signal Voltage	PWM_H		2.0	3.3	3.6	V	
PWM Signal Voltage	PWM_L				0.5	V	
PWM	PWM-F		0.2		1.1	MHZ	
LED-EN		-	-	3.3	5	V	2
Forward current	Normal	I_{pn}	7-chip series x	-	-	-	mA
	Dimming	I_{pd}	4	-	-	-	

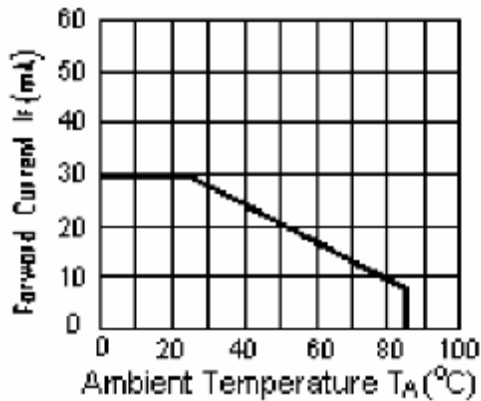
Note:

1: $V_{LED} = V_{LED(+)} - V_{LED(-)}$.

2: The current of LED is 20mA.

A LED drive in constant current mode is recommended.

3: LED power consumption is around 1.680W.



CIRCUIT DIAGRAM

I_{LED} VS TEMP

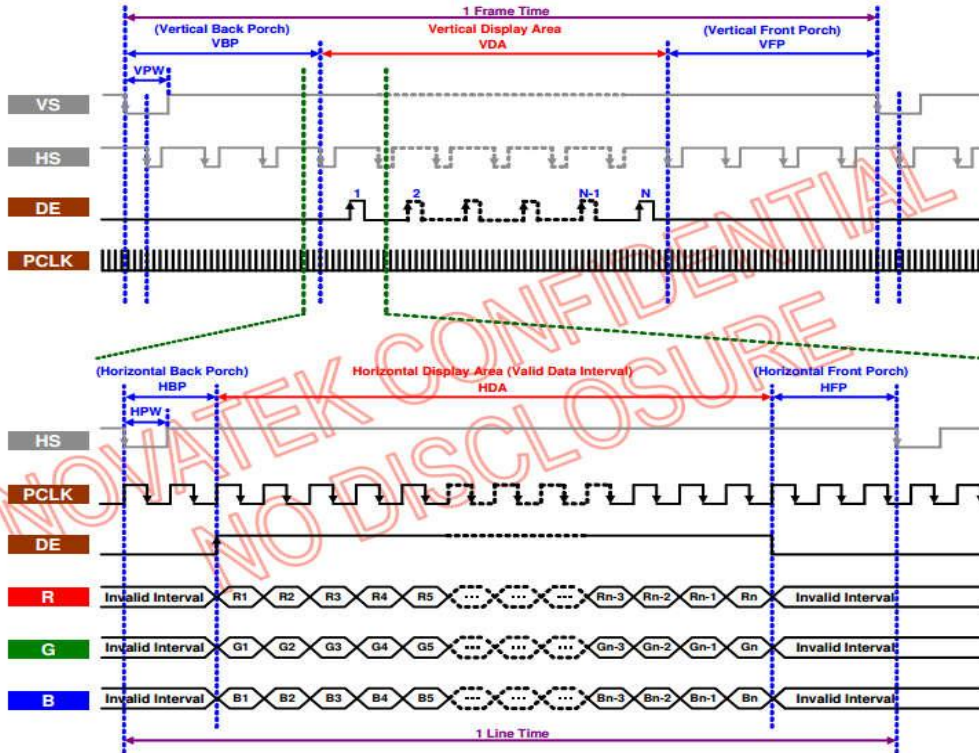


8. SIGNAL TIMING SPECIFICATION

Signal timing

The equivalent input data format for LVDS HV mode and DE mode to RGB signal are shown below.

- LVDS DE mode



Note: There are no HS and VS information sent by LVDS interface in LVDS DE mode, the HS and VS in above figure are generated by driver IC internally.

- 800RGBx1280

(1) LVDS DE mode

Parameter	Symbol	Min.	Typ.	Max.	Unit
DCLK Frequency	FDCLK	72.0	76.1	79.8	MHz
Horizontal Display Area	HDA		800		DCLK
Horizontal Blanking	HBP+HFP	110	160	200	DCLK
One Line Time	HBP+HAD+HFP	910	960	1000	DCLK
Vertical Display Area	VDA		1280		H
Vertical Blanking	VBP+VFP	33	41	50	H
One Frame Time	VBP+VAD+VFP	1318	1321	1330	H

(2) LVDS HV mode

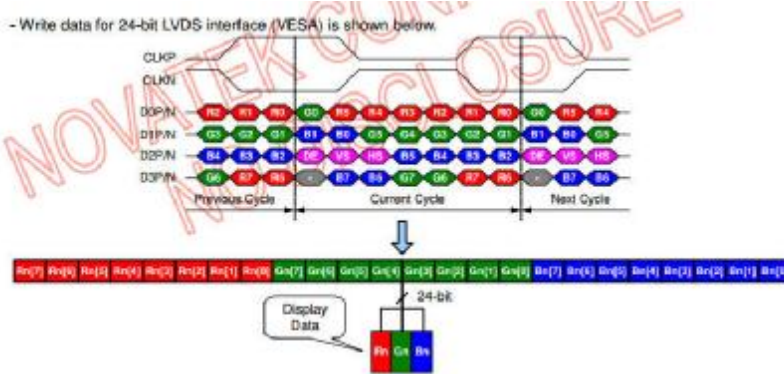
Parameter	Symbol	Min.	Typ.	Max.	Unit
DCLK Frequency	FDCLK	72.0	76.1	79.8	MHz
Horizontal Display Area	HDA		800		DCLK
Horizontal Back Porch	HBP		80 (Note)		DCLK
Horizontal Pulse Width	HPW	1	-	70	DCLK
Horizontal Front Porch	HFP	30	80	120	DCLK
One Line Time	HBP+HAD+HFP	910	960	1000	DCLK
Vertical Display Area	VDA		1280		H
Vertical Back Porch	VBP		23 (Note)		H
Vertical Pulse Width	VPW	1	-	20	H
Vertical Front Porch	VFP	15	18	27	H
One Frame Time	VBP+VAD+VFP	1318	1321	1330	H

Note: HBP include HPW, and VBP include VPW



9.0 SIGNAL TIMING WAVEFORMS OF INTERFACE SIGNAL

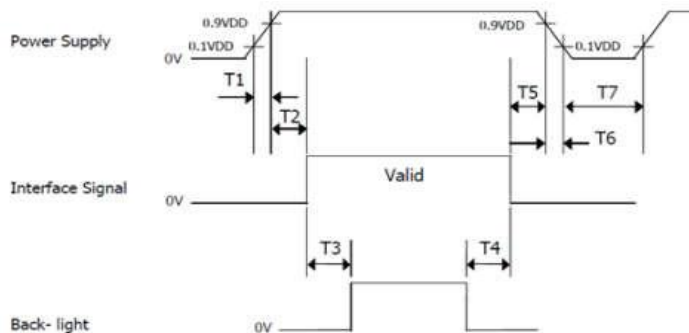
9.1 Input Clock and Data Timing Diagram



POWER SEQUENCE

To prevent a latch-up or DC operation of the LCD module, the power on/off sequence shall be as shown in below Notes: 1. When the power supply VDD is 0V, keep the level of input signals on the low or keep high impedance. 2. Do not keep the interface signal high impedance when power is on. Back Light must be turn on after power for logic and interface signal are valid.

Power-On/Off Timing Sequence:



Parameter	Values			Units
	Min	Typ	Max	
T1	0	-	10	ms
T2	0	-	50	ms
T3	200	-	-	ms
T4	200	-	-	ms
T5	0.5	-	50	ms
T6	0	-	10	ms
T7	500	-	-	ms

Notes:

1. When the power supply VDD is 0V, keep the level of input signals on the low or keep high impedance.
2. Do not keep the interface signal high impedance when power is on. Back light must be on after power for logic and interface signal are valid.



10. Optical Characteristics

Item	Symbol	Condition	Min.	Typ.	Max.	Unit	Note
Brightness	Bp	$\theta=0^\circ$	250	280	-	Cd/m ²	1
Uniformity	ΔBp	$\Phi=0^\circ$	75	80	-	%	1,2
Viewing Angle	Horizontal	Cr \geq 10		170		Deg	3
	Vertical			170			
Contrast Ratio	Cr	$\theta=0^\circ$ $\Phi=0^\circ$	800	1000		-	4
Response Time	T _r		-	35	-	ms	5
	T _f		-		-	ms	
Color of CIE Coordinate	W	x	-0.05	0.310	+0.05		1,6
		y		0.330			
		Y					
	R	x		TBD			
		y		TBD			
		Y					
	G	x		TBD			
		y		TBD			
		Y					
	B	x		TBD			
		y		TBD			
		Y		-			
NTSC Ratio	S	-	60	-	%		

Note: The parameter is slightly changed by temperature, driving voltage and material

Note 1: The data are measured after LEDs are turned on for 5 minutes. LCM displays full white.

The brightness is the average value of 9 measured spots. Measurement equipment PR-705 (Φ 8mm)

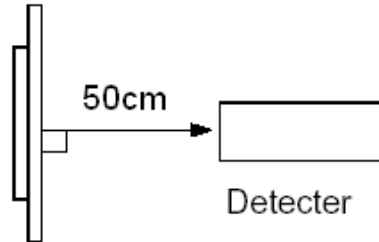
Measuring condition:

- ① Measuring surroundings: Dark room.
- ② Measuring temperature: Ta=25°C.



东莞市宝龙微电子科技有限公司

③ Adjust operating voltage to get optimum contrast at the center of the display.
Measured value at the center point of LCD panel after more than 5 minutes while backlight turning on.

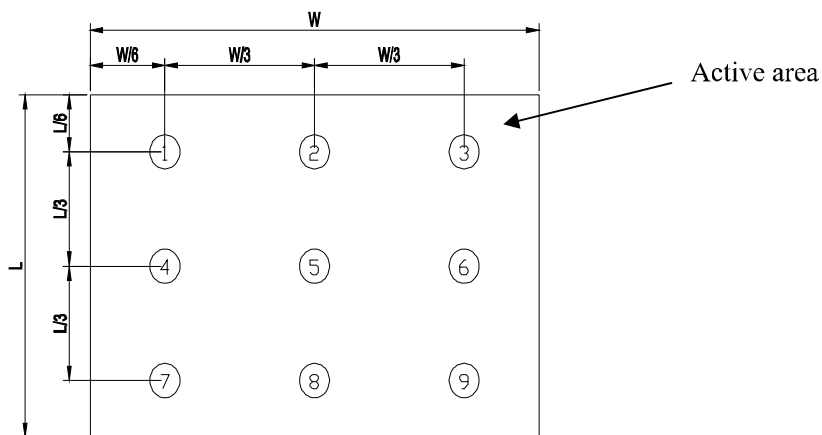


Note 2: The luminance uniformity is calculated by using following formula.

$$\Delta Bp = Bp (\text{Min.}) / Bp (\text{Max.}) \times 100 (\%)$$

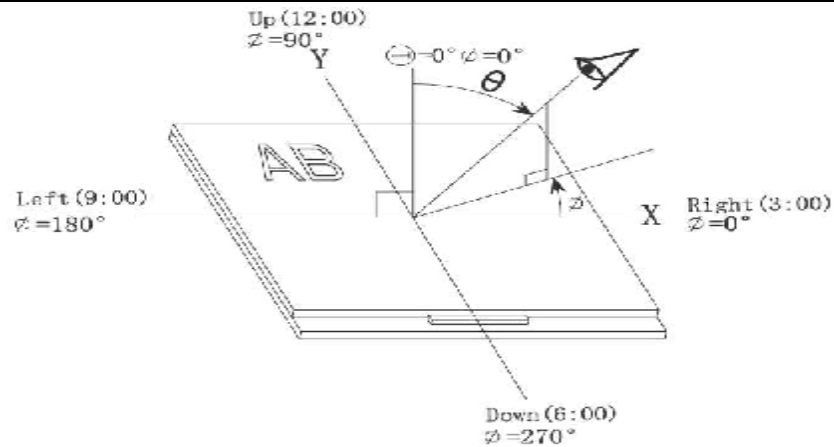
$Bp (\text{Max.})$ = Maximum brightness in 9 measured spots

$Bp (\text{Min.})$ = Minimum brightness in 9 measured spots.

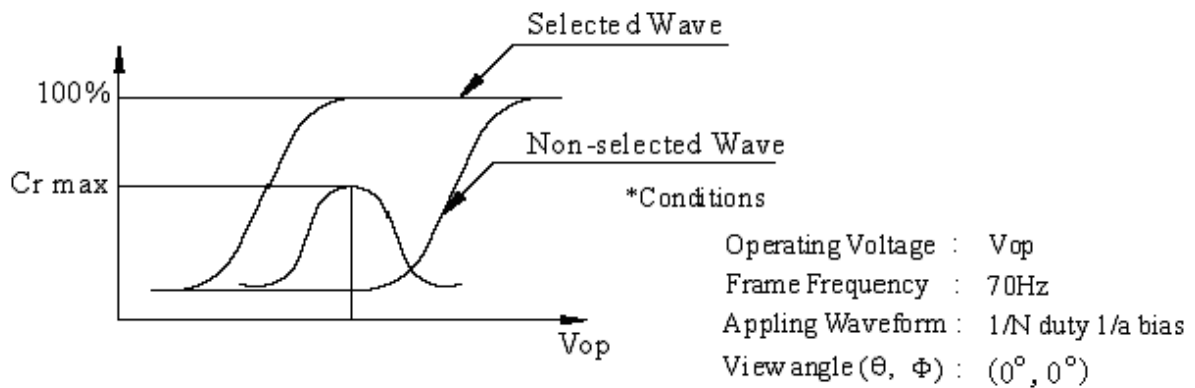


Note 3: The definition of viewing angle:

Refer to the graph below marked by θ and ϕ



Note 4: Definition of contrast ratio.(Test LCD using DMS501)



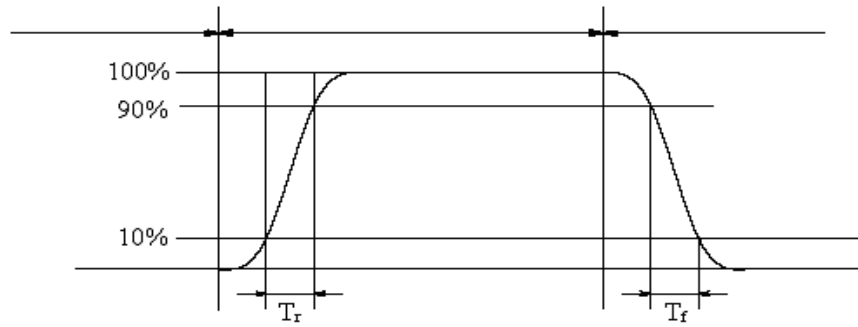
$$\text{Contrast ratio}(Cr) = \frac{\text{Brightness of selected dots}}{\text{Brightness of non-selected dots}}$$

Note 5: Definition of Response time. (Test LCD using DMS501):

The output signals of photo detector are measured when the input signals are changed from “black” to “white”(falling time) and from “white” to “black”(rising time), respectively. The response time is defined as the time interval between the 10% and 90% of amplitudes.Refer to figure as below.

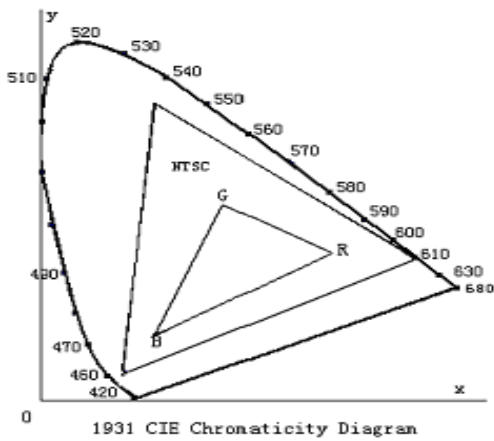


东莞市宝龙微电子科技有限公司



The definition of response time

Note 6: Definition of Color of CIE Coordinate and NTSC Ratio.

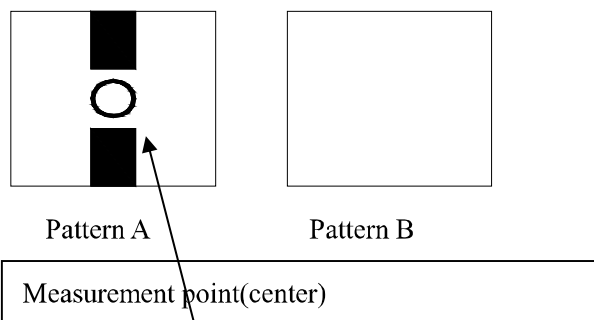


Color gamut:

$$S = \frac{\text{area of RGB triangle}}{\text{area of NTSC triangle}} \times 100\%$$

Note 7: Definition of cross talk.

Cross talk ratio(%)=| pattern A Brightness-pattern B Brightness | /pattern A Brightness*100



Electric volume value=3F+/-3Hex



11. Reliability Test Items and Criteria

No	Test Item	Test condition	Criterion
1	High Temperature Storage	60°C±2°C 96H Restore 2H at 25°C Power off	1. After testing, cosmetic and electrical defects should not happen. 2. Total current consumption should not be more than twice of initial value.
2	Low Temperature Storage	-20°C±2°C 96H Restore 2H at 25°C Power off	
3	High Temperature Operation	50°C±2°C 96H Restore 2H at 25°C Power on	
4	Low Temperature Operation	-10°C±2°C 96H Restore 4H at 25°C Power on	
5	High Temperature/Humidity Operation	40°C±2°C 90%RH 96H Power on	
6	Temperature Cycle	-10°C ←————→ 50°C 30min 5min 30min after 5 cycle, Restore 2H at 25°C Power off	
7	Vibration Test	10Hz~150Hz, 100m/s ² , 120min	Not allowed cosmetic and electrical defects.
8	Shock Test	Half- sine wave, 300m/s ² , 11ms	
9	ESD Test	Air discharge: +/-6KV, Contact discharge: +/-2KV,	

Note: Operation: Supply 2.8V for logic system.

The inspection terms after reliability test, as below

ITEM	Inspection
Contrast	CR>50%
IDD	IDD<200%
Brightness	Brightness>60%
Color Tone	Color Tone+/-0,05



12 Quality level

12.1 Classification of defects

Major defects (MA): A major defect refers to a defect that may substantially degrade usability for product applications, including all functional defects (such as no display, abnormal display, open or missing segment, short circuit, missing component), outline dimension beyond the drawing, progressive defects and those affecting reliability.

Minor defects (MI): A minor defect refers to a defect which is not considered to be able to substantially degrade the product application or a defect that deviates from existing standards almost unrelated to the effective use of the product or its operation, such as black spot, white spot, bright spot, pinhole, black line, white line, contrast variation, glass defect, polarizer defect, etc.

12.2 Definition of inspection range

<p>For dot defect of TFT LCD which is not smaller than 3 inches, dividing three areas to make a judgment (according to figure 1).</p> <p>A area : center of viewing area B area : periphery of viewing area C area : Outside viewing area</p> <p>For other defects, dividing two areas to make a judgment (according figure 2).</p> <p>A zone : Inside Viewing area B zone : Outside Viewing area</p> <p>X1(A.A~V.A): 2mm X2(A.A~V.A): 2mm Y1(A.A~V.A): 2mm Y2(A.A~V.A): 2mm</p>	<p>Figure 1</p> <p>Figure 2</p>
--	---------------------------------

12.3 Inspection items and general notes

General notes	<p>1.Should any defects which are not specified in this standard happen, additional standard shall be determined by mutual agreement between customer and HNH.</p> <p>2.Viewing area should be the area which HNH guarantees.</p> <p>3.Limit sample should be prior to this Inspection standard.</p> <p>4.Viewing judgment should be under static pattern.</p> <p>5.Inspection conditions</p> <p style="padding-left: 20px;">Inspection distance: 250 mm (from the sample) Temperature : 25±5 °C</p> <p style="padding-left: 20px;">Inspection angle : 45 degrees in 12 o'clock direction (all defects in viewing area should be inspected from this direction)</p>	
Inspection items	<p>Pinhole, Bright spot, Black spot, White spot, Black line, White Line, Foreign particle, Bubble</p>	<p>The color of a small area is different from the remainder. The phenomenon doesn't change with voltage</p>
	<p>Contrast variation</p>	<p>The color of a small area is different from the remainder. The phenomenon changes with voltage</p>



东莞市宝龙微电子科技有限公司

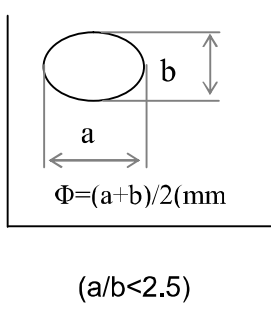
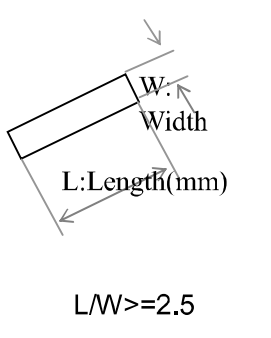
	Polarizer defect	Scratch, Dirt, Particle, Bubble on polarizer or between polarizer and glass
	Dot defect (TFT LCD)	The pixel appears bright or dark abnormally when display
	Functional defect	No display, Abnormal display, Open or missing segment, Short circuit, False viewing direction
	Glass defect	Glass crack, Shaved corner of glass, Surplus glass
	PCB defect	Components assembly defect

12.4 Outgoing Inspection level

Outgoing Inspection standard	Inspection conditions	Inspection				
		Min.	Max.	Unit	IL	AQL
Major Defects	See 8.3 general notes	See 8.5			II	0.065
Minor Defects	See 8.3 general notes	See 8.5			II	0.065

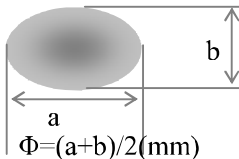
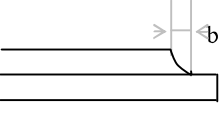
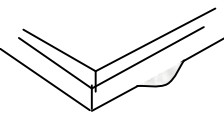
Note: Sampling standard conforms to GB2828

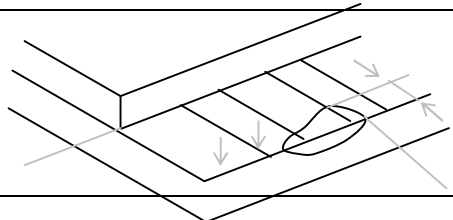
12.5 Inspection Items and Criteria

Inspection items			Judgment standard			
			Category		Acceptable number	
					A zone	B zone
1	Black spot, White spot, Pinhole, Foreign Particle, Particle in or on glass, Scratch on glass		A	$\Phi \leq 0.20$	Neglected	Neglected
			B	$0.20 < \Phi \leq 0.25$		Neglected
			C	$0.25 < \Phi \leq 0.3$		Neglected
			D	$0.3 < \Phi \leq 0.4$		
			E	$0.4 < \Phi \leq 0.5$		
			Total defective point(B,C)			-
2	Black line, White line, and Particle Between Polarizer and glass, Scratch on glass		A	$W \leq 0.03$	Neglected	Neglected
			B	$0.03 < W \leq 0.05$ $L \leq 3.0$	-	Neglected
			C	$0.05 < W \leq 0.1$ $L \leq 3.0$	-	Neglected
			D	$0.05 < W \leq 0.1$ $L \leq 4.0$	-	-
			E	$W > 0.1$ $L > 4.0$	-	-
			Total defective point(B,C)		-	-
3	Bright spot	any size		none	none	
4	Contrast	A	$\Phi < 0.2$	Neglected	Neglected	



东莞市宝龙微电子科技有限公司

	variation		B	$0.2 < \Phi \leq 0.3$	-	
			C	$0.3 < \Phi \leq 0.4$	-	
			D	$0.4 < \Phi$	-	
			Total defective point(B,C)		-	
5	Bubble inside cell		any size		none	none
6	Polarizer defect (if Polarizer is used)	Scratch ,damage on polarizer, Particle on polarizer or between polarizer and glass. Bubble, dent and convex	Refer to item 1 and item 2.			
			A	$\Phi \leq 0.1$	Neglected	Neglected
			B	$0.1 < \Phi \leq 0.2$	-	Neglected
			C	$0.2 < \Phi \leq 0.3$	-	-
7	Surplus glass	Stage surplus glass	 $B \leq 0.3\text{mm}$			
		Surrounding surplus glass	 Should not influence outline dimension and assembling.			
8	Open segment or open common	Not permitted				
9	Short circuit	Not permitted				
10	False viewing direction	Not permitted				
11	Contrast ratio uneven	According to the limit specimen				
12	Crosstalk	According to the limit specimen				
13	Black /White spot(display)	Refer to item 1				
14	Black /White line(display)	Refer to item 2				

Inspection items		Judgment standard		
		Category(application: B zone)	Acceptable number	
15	Glass defect crack i)The front of lead terminals 	A	$a \leq t, b \leq 1/5W, c \leq 3\text{mm}$	
			Max.3 defects allowed	



东莞市宝龙微电子科技有限公司

			B	Crack at two sides of lead terminals should not cover patterns and alignment mark
	ii)Surrounding crack-non-contact side	<p>Inner border line of the seal Outer border line of the seal</p>		$b < \text{Inner borderline of the seal}$
	iii) Surrounding crack- contact side	<p>Inner border line of the seal Outer border line of the seal</p>		$b < \text{Outer borderline of the seal}$
	iv)Corner		A	$a \leq t, b \leq 3.0, c \leq 3.0$
			B	Glass crack should not cover patterns u and alignment mark and patterns.

Inspection items	Judgment standard
	Category(application: B zone)



16	PCB defect	<p>Component soldering: No cold soldering、short、open circuit、burr、tin ball The flat encapsulation component position deviation must be less than 1/3 width of the pin (Pic.1); the sheet component deviation: Pin deviates from the pad and contact with the near components is not permitted (Pic.2)</p>	
		<p>lead defect: The lead lack must be less than 1/3 of its width; The lead burr must be less than 1/3 of the seam; Impurities connect with the near leads is not permitted</p>	
		<p>Connector soldering: Soldering tin is at contact position of the plug and socket is not permitted No foundation is scald Serious cave distortion on plug and socket contact pin is not permitted</p>	
		<p>Glue on root of the speaker receiver and motor lead: The insulative coat of the lead must join into the PCB; the protected glue must envelop to the insulative coat.</p>	

13. Precautions for Use of LCD Modules

13.1 Handling Precautions

- 13.1.1 The display panel is made of glass. Do not subject it to a mechanical shock by dropping it from a high place, etc.
- 13.1.2 If the display panel is damaged and the liquid crystal substance inside it leaks out, be sure not to get any in your mouth, if the substance comes into



- contact with your skin or clothes, promptly wash it off using soap and water.
- 13.1.3 Do not apply excessive force to the display surface or the adjoining areas since this may cause the color tone to vary.
- 13.1.4 The polarizer covering the display surface of the LCD module is soft and easily scratched. Handle this polarizer carefully.
- 13.1.5 If the display surface is contaminated, breathe on the surface and gently wipe it with a soft dry cloth. If still not completely clear, moisten cloth with one of the following solvents:
- Isopropyl alcohol
 - Ethyl alcohol
- Solvents other than those mentioned above may damage the polarizer. Especially, do not use the following:
- Water
 - Ketone
 - Aromatic solvents
- 13.1.6 Do not attempt to disassemble the LCD Module.
- 13.1.7 If the logic circuit power is off, do not apply the input signals.
- 13.1.8 To prevent destruction of the elements by static electricity, be careful to maintain an optimum work environment.
- a. Be sure to ground the body when handling the LCD Modules.
 - b. Tools required for assembly, such as soldering irons, must be properly ground.
 - c. To reduce the amount of static electricity generated, do not conduct assembly and other work under dry conditions.
 - d. The LCD Module is coated with a film to protect the display surface. Be care when peeling off this protective film since static electricity may be generated.

13.2 Storage precautions

- 12.2.1 When storing the LCD modules, avoid exposure to direct sunlight or to the light of fluorescent lamps.
- 12.2.2 The LCD modules should be stored under the storage temperature range. If the LCD modules will be stored for a long time, the recommend condition is:
- Temperature : 0°C ~ 40°C
- Relatively humidity: ≤80%
- 12.2.3 The LCD modules should be stored in the room without acid, alkali and harmful gas.



东莞市宝龙微电子科技有限公司

13.2.4 The LCD modules should be no falling and violent shocking during transportation, and also should avoid excessive press, water, damp and sunshine.