

To : KII



Engineering Change Notice (T-55265GD057J-LW-ACN)

2022/8/2

KYOCERA Corporation
Corporate Display Group
Display Engineering Division
Product Engineering Department

Approved	Checked	Prepared
M. Kato	I. Kawajiri	M. Nakada

KYOCERA Corporation

Summary



Thank you for your continued support.

For the following reasons, we will apply for a change in the materials used in our products that are currently being mass-produced.

We apologize for the inconvenience, and thank you for your understanding.

1. Applicable Product T-55265GD057J-LW-ACN

2. Background

The supply of materials used in this product continues to be tight especially electronic components on PCB.

We are unable to secure the sufficient number of components that is causing inconvenience to our customers in terms of delivery.

Because this product is old in design and it is unlikely that the situation will be improved in the procurement of electronic components in near future, we would like to propose a renewal to products using newer materials and electronic components in order to stabilize the delivery.

For more details, please refer to the following pages.

We appreciate your understanding and cooperation.

3. Schedule

Sample shipment : August, 2022

Approval request : September, 2022

Planned change in : Notify applicable lot separately

Comparison of the specifications

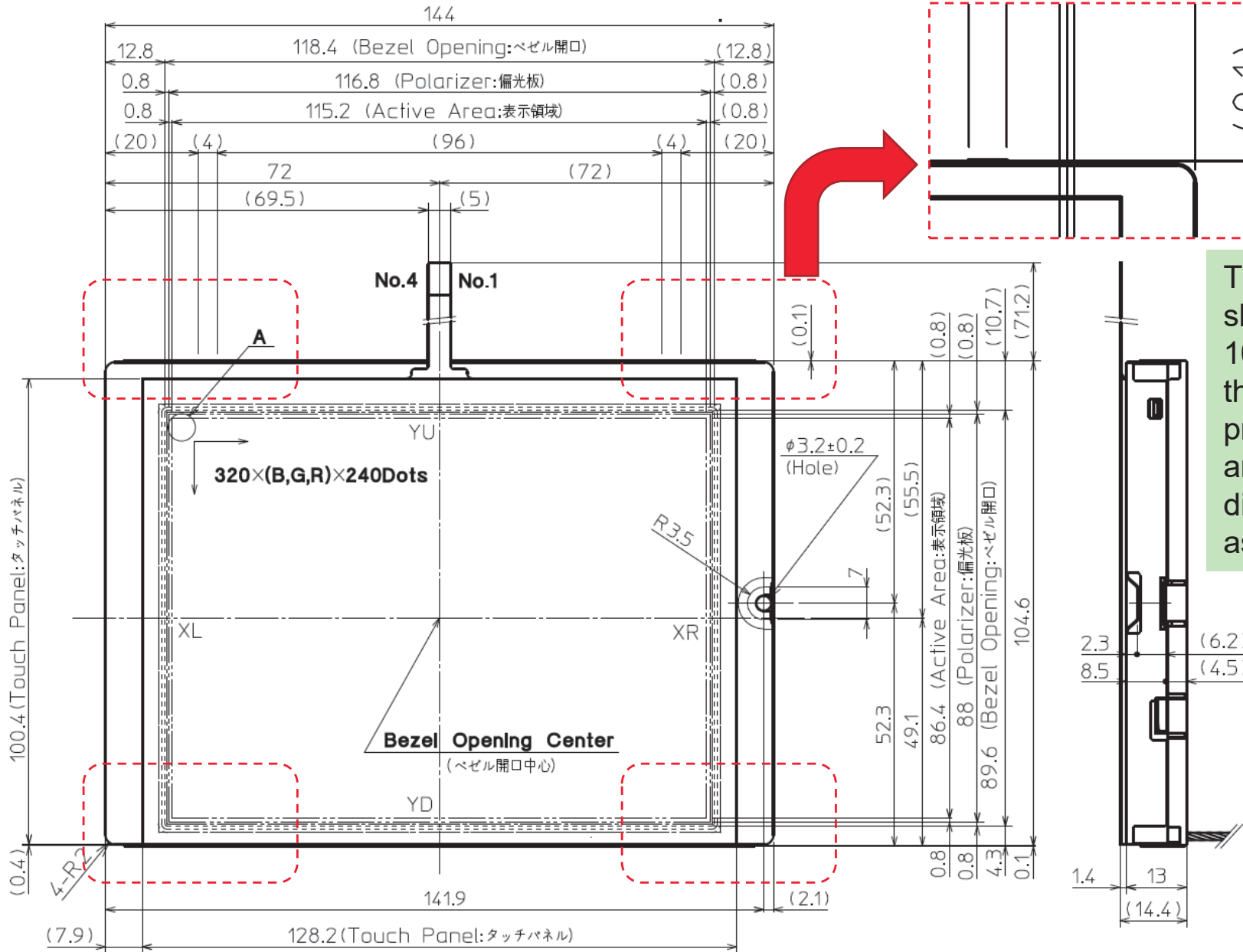
For the 5.7inch QVGA [T-55265GD057J-LW-ACN] for your company, we will explain the specifications of the Renewal product that we are proposing this time below.

Specification comparison list		T-55265GD057J-LW-ACN [Current product]	T-55265GD057J-LW-AKN [New product]
TFT	Supplier	A	B
	Location	Taiwan	Taiwan
Polarizer		C	D
Driver IC		E	F
PCB	Board	G	H
	Assembly	I	Kyocera China factory
	Mounting components	For stable supply in the future, we will downsize capacitors and resistors, and change parts that have an old release time and are uncertain about supply to the latest parts.	
FPC		J	K
Backlight		L	Kyocera China factory
Touch panel		M	←

Comparison of the specifications

Specification comparison list		T-55265GD057J-LW-ACN [Current product]	T-55265GD057J-LW-AKN [New product]
Product Specifications	Polarizer	AG Coating	Glare treatment
	Interface	CMOS	←
	Outline dimensions	144.0(W)x104.6(H)x14.4(D) mm Projection not included.	144.0(W)x104.8(H)x14.4(D) mm Projection not included.
	Base color	Normally White	←
	Operating temperature	-20~70°C	←
	Storage temperature	-30~80°C	←
	Supply voltage (LCD)	Typ. 3.3V	←
	Current consumption (LCD)	Typ. 100mA	Typ. 60mA
	LED Forward current	60mA/Line	60mA/Line
	LED Forward voltage	Typ. 13.2V/Line (IF=60mA, Ta=25°C)	Typ. 11.6V/Line (IF=60mA, Ta=25°C)
Operating life time	-	Typ. 70,000hr (IF=60mA, Ta=25°C)	

New product outline dimensions



The MDL has an outer shape of 144.0mm x 104.6mm, but since there are four 0.1mm protrusions on the top and bottom, the height dimension is described as 104.8mm.

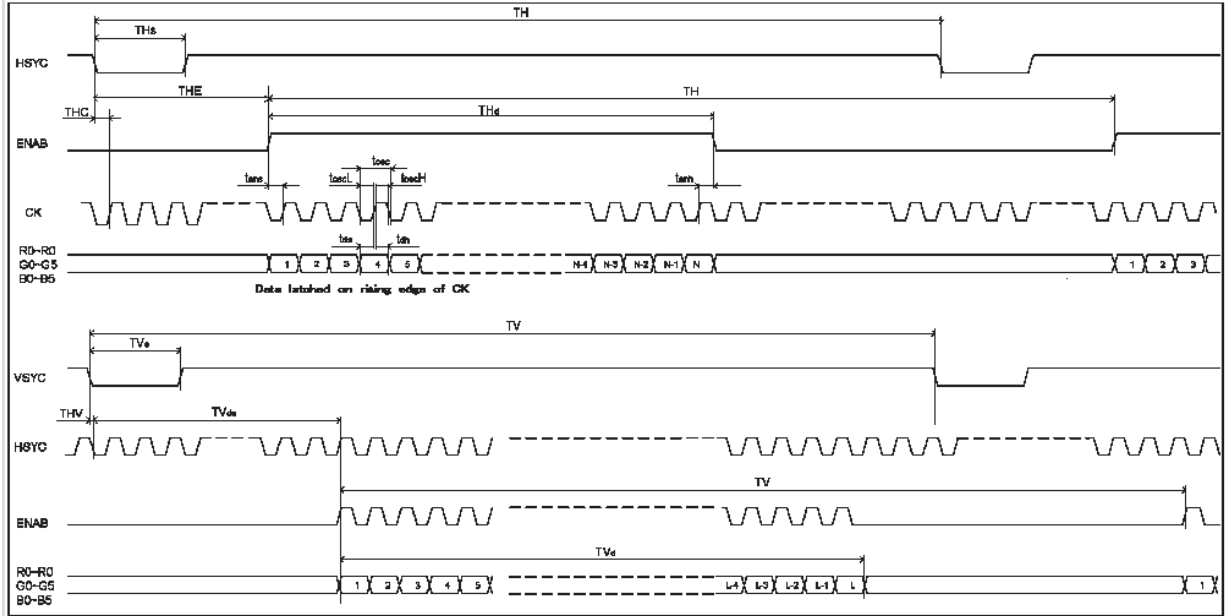
Comparison of the specifications



T-55265GD057J-LW-ACN [Current product]

Electrical Specifications
AC Characteristic

Parameter	Symbol	Min.	Typ.	Max.	Units
CK Frequency	1/tosc	-	6.4	-	MHz
CK Period	tosc	-	156	-	ns
CK High Pulse Width Time	toscH	12	-	-	ns
CK Low Pulse Width Time	toscL	12	-	-	ns
CK Pulse Duty ratio	toscH/ tosc	-	50	-	%
Data Setup time	t _{ds}	12	-	-	ns
Data Hold time	t _{dh}	12	-	-	ns
HSYC (Horizontal Sync.) Signal Cycle	TH	-	62.8	-	μs
		-	408	450	clk
HSYC Pulse Width	TH _s	5	30	-	clk
Horizontal Display Term	TH _d	-	320	-	clk
ENAB Setup Time	t _{ens}	12	-	-	ns
ENAB Hold Time	t _{enH}	12	-	-	ns
VSYC (Vertical Sync.) Signal Cycle	TV	-	262	350	Line
VSYC Pulse Width	TV _v	1	3	5	Line
Vertical Display Term	TV _d	-	240	-	Line
Vertical Display Start	TV _{ds}	-	18	-	Line
HSYC-ENAB Phase Difference	THE	-	60	-	clk
HSYC-CK Phase Difference	THC	12	-	-	ns
HSYC-VSYC Phase Difference	THV	1	-	-	clk





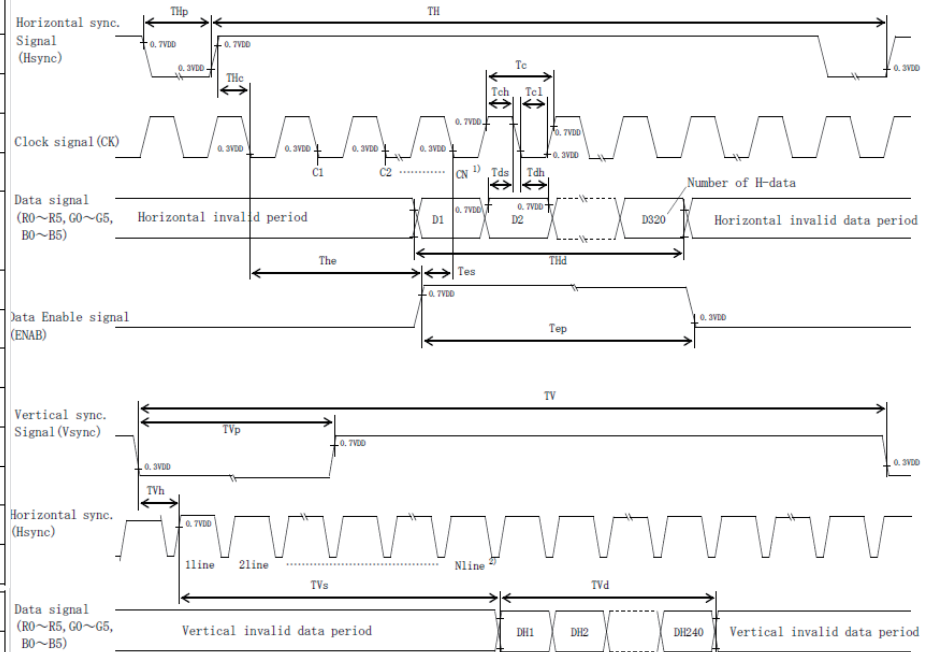
Comparison of the specifications



T-55265GD057J-LW-AKN [New product]

Electrical Specifications
AC Characteristic

Item	Symbol	Min	Typ	Max	Unit	Note
Clock	Frequency	1/Tc	6.3	7.0	MHz	2)
	Duty ratio	Tch/Tc	40	50	60	%
Data	Set up time	Tds	5	—	—	ns
	Hold time	Tdh	10	—	—	ns
Horizontal sync. signal	Cycle	TH	50.0	63.6	—	μs
	Pulse width		THp	2	96	200
Vertical sync. signal	Cycle	TV	251	262	280	line
	Pulse width	TVp	2	—	34	line
Horizontal display period	THd	320			clock	
Hsync. Clock phase difference	THc	10	—	Tc 10	ns	
Hsync-Vsync. phase difference	TVh	Tc	—	TH-THp	ns	
Vertical sync. signal start position	TVs	7			line	
Vertical display period	TVd	240			line	
Enable signal	Set up time	Tes	5	—	Tc 10	ns
	Pulse width	Tep	2	320	TH 10	clock
	Hsync - Enable signal phase difference	The	2	—	TH 340	clock



Comparison of the specifications



Specification comparison list		T-55265GD057J-LW-ACN [Current product]	T-55265GD057J-LW-AKN [New product]	
Optical specifications (Typ.)	Response time	Rise	21ms	
		Down	10ms	
	Brightness (Center of display)		400cd/m ²	←
	Contrast ratio		350	←
	Viewing angle range CR>5	Upper	70deg	←
		Lower	70deg	←
		Left	70deg	←
		Right	70deg	←
	Optimal viewing angle		6 o'clock	←
	Chromaticity coordinates	Red	0.6209, 0.3652	0.625, 0.360
		Green	0.3319, 0.5657	0.330, 0.605
		Blue	0.1401, 0.0863	0.150, 0.090
White		0.2919, 0.3040	0.305, 0.335	

Comparison of the specifications



Specification comparison list		T-55265GD057J-LW-ACN [Current product]	T-55265GD057J-LW-AKN [New product]																																																																																																					
LCD Interface	Connector	08-6260-033-340-829+	IMSA-9632S-33Z02-GFN4																																																																																																					
	Pin assignment	<table border="1"> <thead> <tr> <th>No.</th> <th>Symbol</th> <th>Functional Discription</th> </tr> </thead> <tbody> <tr><td>1</td><td>GND</td><td>Power Supply (0V, GND)</td></tr> <tr><td>2</td><td>CK</td><td>Clock Signal</td></tr> <tr><td>3</td><td>HSYC</td><td>Horizontal Sync Input</td></tr> <tr><td>4</td><td>VSYC</td><td>Vertical Sync Input</td></tr> <tr><td>5</td><td>GND</td><td>Power Supply (0V, GND)</td></tr> <tr><td>6</td><td>R0</td><td>Red Data Signal</td></tr> <tr><td>7</td><td>R1</td><td>Red Data Signal</td></tr> <tr><td>8</td><td>R2</td><td>Red Data Signal</td></tr> <tr><td>9</td><td>R3</td><td>Red Data Signal</td></tr> <tr><td>10</td><td>R4</td><td>Red Data Signal</td></tr> <tr><td>11</td><td>R5</td><td>Red Data Signal</td></tr> <tr><td>12</td><td>GND</td><td>Power Supply (0V, GND)</td></tr> <tr><td>13</td><td>G0</td><td>Green Data Signal</td></tr> <tr><td>14</td><td>G1</td><td>Green Data Signal</td></tr> <tr><td>15</td><td>G2</td><td>Green Data Signal</td></tr> <tr><td>16</td><td>G3</td><td>Green Data Signal</td></tr> <tr><td>17</td><td>G4</td><td>Green Data Signal</td></tr> <tr><td>18</td><td>G5</td><td>Green Data Signal</td></tr> <tr><td>19</td><td>GND</td><td>Power Supply (0V, GND)</td></tr> <tr><td>20</td><td>B0</td><td>Blue Data Signal</td></tr> <tr><td>21</td><td>B1</td><td>Blue Data Signal</td></tr> <tr><td>22</td><td>B2</td><td>Blue Data Signal</td></tr> <tr><td>23</td><td>B3</td><td>Blue Data Signal</td></tr> <tr><td>24</td><td>B4</td><td>Blue Data Signal</td></tr> <tr><td>25</td><td>B5</td><td>Blue Data Signal</td></tr> <tr><td>26</td><td>GND</td><td>Power Supply (0V, GND)</td></tr> <tr><td>27</td><td>ENAB</td><td>Input Data Enable Control</td></tr> <tr><td>28</td><td>VCC(3.3V)</td><td>Power Supply for Logic</td></tr> <tr><td>29</td><td>VCC(3.3V)</td><td>Power Supply for Logic</td></tr> <tr><td>30</td><td>R/L</td><td>Control the shift direction of device internal shift resistor</td></tr> <tr><td>31</td><td>U/D</td><td>Set the Up/Down scan direction</td></tr> <tr><td>32</td><td>NC</td><td>Non Connection</td></tr> <tr><td>33</td><td>GND</td><td>Power Supply (0V, GND)</td></tr> </tbody> </table>	No.	Symbol	Functional Discription	1	GND	Power Supply (0V, GND)	2	CK	Clock Signal	3	HSYC	Horizontal Sync Input	4	VSYC	Vertical Sync Input	5	GND	Power Supply (0V, GND)	6	R0	Red Data Signal	7	R1	Red Data Signal	8	R2	Red Data Signal	9	R3	Red Data Signal	10	R4	Red Data Signal	11	R5	Red Data Signal	12	GND	Power Supply (0V, GND)	13	G0	Green Data Signal	14	G1	Green Data Signal	15	G2	Green Data Signal	16	G3	Green Data Signal	17	G4	Green Data Signal	18	G5	Green Data Signal	19	GND	Power Supply (0V, GND)	20	B0	Blue Data Signal	21	B1	Blue Data Signal	22	B2	Blue Data Signal	23	B3	Blue Data Signal	24	B4	Blue Data Signal	25	B5	Blue Data Signal	26	GND	Power Supply (0V, GND)	27	ENAB	Input Data Enable Control	28	VCC(3.3V)	Power Supply for Logic	29	VCC(3.3V)	Power Supply for Logic	30	R/L	Control the shift direction of device internal shift resistor	31	U/D	Set the Up/Down scan direction	32	NC	Non Connection	33	GND	Power Supply (0V, GND)
No.	Symbol	Functional Discription																																																																																																						
1	GND	Power Supply (0V, GND)																																																																																																						
2	CK	Clock Signal																																																																																																						
3	HSYC	Horizontal Sync Input																																																																																																						
4	VSYC	Vertical Sync Input																																																																																																						
5	GND	Power Supply (0V, GND)																																																																																																						
6	R0	Red Data Signal																																																																																																						
7	R1	Red Data Signal																																																																																																						
8	R2	Red Data Signal																																																																																																						
9	R3	Red Data Signal																																																																																																						
10	R4	Red Data Signal																																																																																																						
11	R5	Red Data Signal																																																																																																						
12	GND	Power Supply (0V, GND)																																																																																																						
13	G0	Green Data Signal																																																																																																						
14	G1	Green Data Signal																																																																																																						
15	G2	Green Data Signal																																																																																																						
16	G3	Green Data Signal																																																																																																						
17	G4	Green Data Signal																																																																																																						
18	G5	Green Data Signal																																																																																																						
19	GND	Power Supply (0V, GND)																																																																																																						
20	B0	Blue Data Signal																																																																																																						
21	B1	Blue Data Signal																																																																																																						
22	B2	Blue Data Signal																																																																																																						
23	B3	Blue Data Signal																																																																																																						
24	B4	Blue Data Signal																																																																																																						
25	B5	Blue Data Signal																																																																																																						
26	GND	Power Supply (0V, GND)																																																																																																						
27	ENAB	Input Data Enable Control																																																																																																						
28	VCC(3.3V)	Power Supply for Logic																																																																																																						
29	VCC(3.3V)	Power Supply for Logic																																																																																																						
30	R/L	Control the shift direction of device internal shift resistor																																																																																																						
31	U/D	Set the Up/Down scan direction																																																																																																						
32	NC	Non Connection																																																																																																						
33	GND	Power Supply (0V, GND)																																																																																																						

Comparison of the specifications

Specification comparison list		T-55265GD057J-LW-ACN [Current product]	T-55265GD057J-LW-AKN [New product]																				
LED Interface	Connector	CN2 : SHLP-06V-S-B (JST)	←																				
	Pin assignment	CN2 <table border="1"> <thead> <tr> <th>No.</th> <th>Symbol</th> <th>Functional Discription</th> </tr> </thead> <tbody> <tr> <td>1</td> <td>Anode 1</td> <td>LED Anode Terminal</td> </tr> <tr> <td>2</td> <td>Anode 2</td> <td>LED Anode Terminal</td> </tr> <tr> <td>3</td> <td>Anode 3</td> <td>LED Anode Terminal</td> </tr> <tr> <td>4</td> <td>Cathode 1</td> <td>LED Cathode Terminal</td> </tr> <tr> <td>5</td> <td>Cathode 2</td> <td>LED Cathode Terminal</td> </tr> <tr> <td>6</td> <td>Cathode 3</td> <td>LED Cathode Terminal</td> </tr> </tbody> </table>	No.	Symbol	Functional Discription	1	Anode 1	LED Anode Terminal	2	Anode 2	LED Anode Terminal	3	Anode 3	LED Anode Terminal	4	Cathode 1	LED Cathode Terminal	5	Cathode 2	LED Cathode Terminal	6	Cathode 3	LED Cathode Terminal
No.	Symbol	Functional Discription																					
1	Anode 1	LED Anode Terminal																					
2	Anode 2	LED Anode Terminal																					
3	Anode 3	LED Anode Terminal																					
4	Cathode 1	LED Cathode Terminal																					
5	Cathode 2	LED Cathode Terminal																					
6	Cathode 3	LED Cathode Terminal																					
Touch panel	Pin assignment	CN3 <table border="1"> <thead> <tr> <th>No.</th> <th>Symbol</th> <th>Functional Description</th> </tr> </thead> <tbody> <tr> <td>1</td> <td>XR</td> <td>X right side</td> </tr> <tr> <td>2</td> <td>YU</td> <td>Y 12o'clock side</td> </tr> <tr> <td>3</td> <td>XL</td> <td>X left side</td> </tr> <tr> <td>4</td> <td>YD</td> <td>Y 6o'clock side</td> </tr> </tbody> </table>	No.	Symbol	Functional Description	1	XR	X right side	2	YU	Y 12o'clock side	3	XL	X left side	4	YD	Y 6o'clock side	←					
No.	Symbol	Functional Description																					
1	XR	X right side																					
2	YU	Y 12o'clock side																					
3	XL	X left side																					
4	YD	Y 6o'clock side																					

Revision History



Rev	Mark	Name	Date	Contents
00	None	M. Nakada	2022/8/2	Initial release
01	①			
02	②			
03	③			

www.panelook.com

THE NEW VALUE FRONTIER



KYOCERA Corporation