



1/7

TMJ-PP-0499

May 18th, 2018

To: Customers

TMJ Product Change Notice
PCN Tracking Number: TMJ-PP-0499

**Subject: 12.1-inch WXGA PCAP LCD module NL12880BC20-05BA and NL12880BC20-05BD
Change of Generation of PCAP sensor, factory for PCAP sensor, touch panel (T/P) bonding
and base LCD module from Japan to China**

1. Applicable products

Size	Resolution	Type name
12.1-inch	WXGA	NL12880BC20-05BA
		NL12880BC20-05BD



Tianma Japan, Ltd. CONFIDENTIAL AND PROPRIETARY

2/7

TMJ-PP-0499

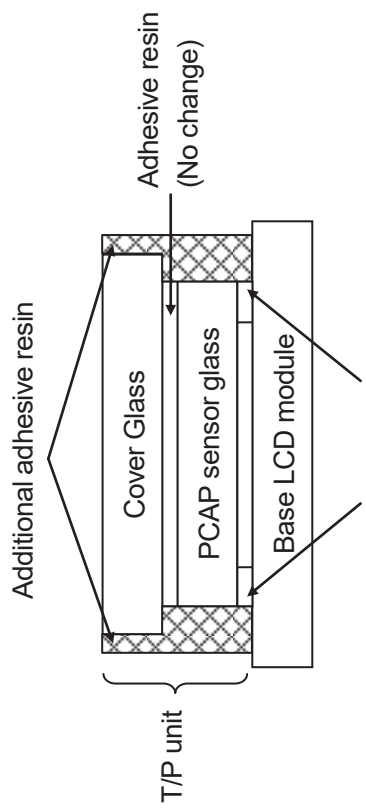
2. Change description

Item	Current	After change
Factory of PCAP sensor will be changed.	JAPAN	CHINA
Bonding factory between PCAP sensor glass and Cover Glass (CG) will be changed.	JAPAN	CHINA
Bonding factory between T/P unit and base LCD module will be changed.	JAPAN	CHINA
Bonding material between T/P unit and base LCD module will be changed. (Please see page 3/7.)	Double sided adhesive tape	Adhesive resin
Due to the change of the bonding material, product thickness will be changed. (Please see page 4/7.)	10.6±0.6mm	10.1±0.6mm
	10.7±0.6mm	10.2±0.6mm
Additional adhesive resin between CG and base LCD module will be added. (Please see page 3/7.)	Current	Addition of adhesive resin
Generation of PCAP sensor will be changed to Generation 2.	Generation 1	Generation 2
T/P controller board will be changed.	PTPW04-121WX****	PTPW16-121WX****
	I/F type I ² C	PTPW17-121WX****
Factory of Base LCD module will be changed.	JAPAN	CHINA
Tolerance of the FPC terminal portion will be changed.	3.7±0.2mm	3.7±0.3mm
	Shield (Color: Black) will be added on the FPC.	Shield (Color: Black) will be added on the FPC.
Nameplate label (Please see page 7/7.)	MADE IN JAPAN	MADE IN CHINA
Barcode label for panel number (Please see page 7/7.)	13 digits	12 digits
Internal control label will be added. (Please see page 6/7.)	-	Addition
Protection sheet on the product surface will be deleted.	None	None
	Being used	None

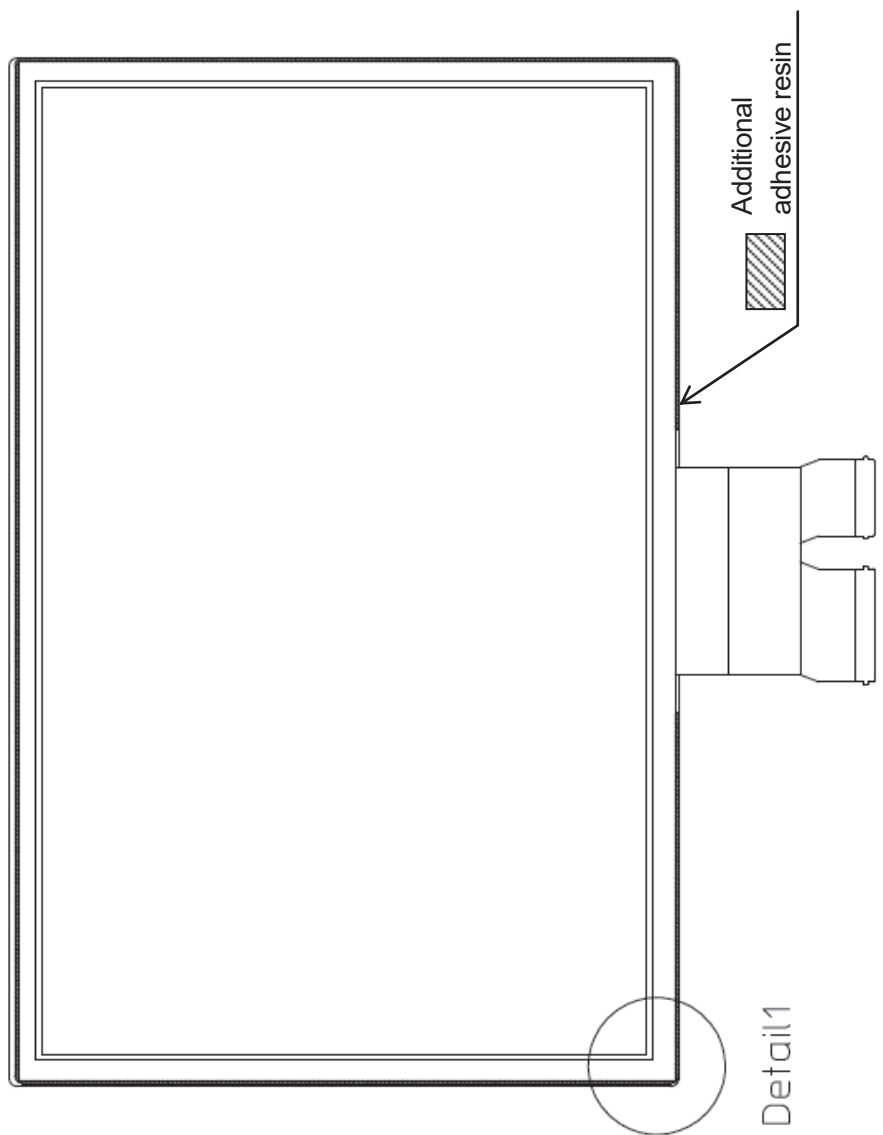
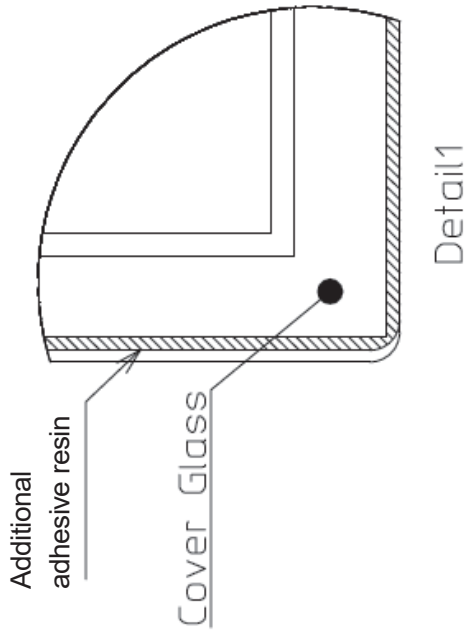
There are no optical or electrical specifications change and no changes in product reliability. And there will be no influence on UL approval and RoHS compliance.

Tianma Japan, Ltd. CONFIDENTIAL AND PROPRIETARY

Change from Double sided adhesive tape to Adhesive resin,
Addition of Adhesive resin



Double sided adhesive tape → Adhesive resin

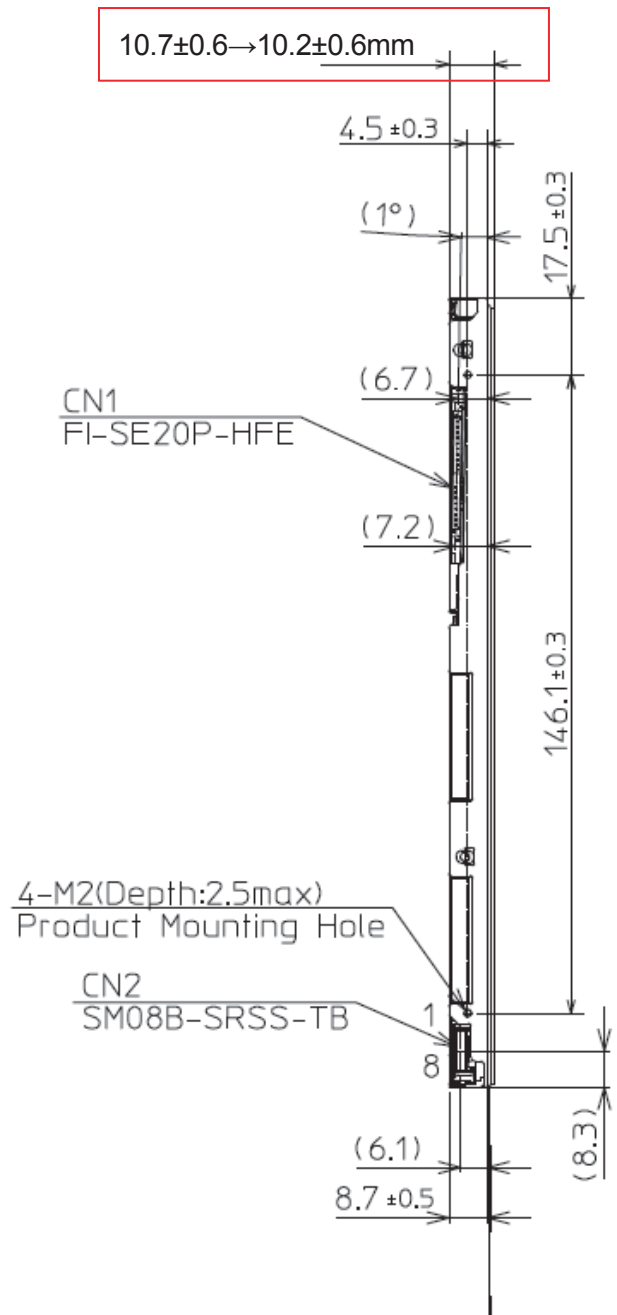
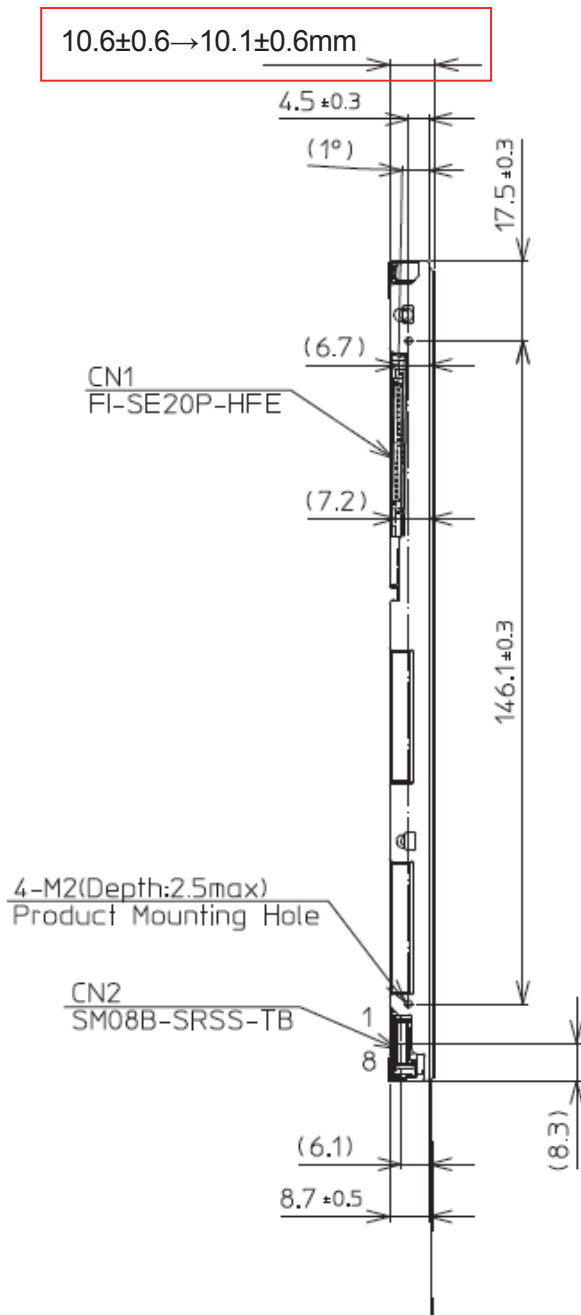




Product thickness

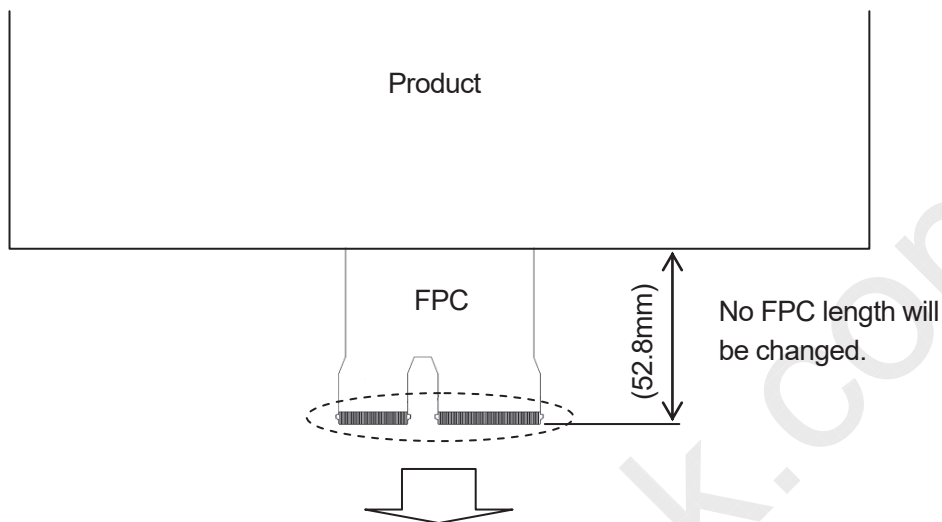
NL12880BC20-05BA

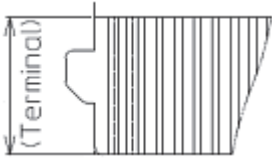
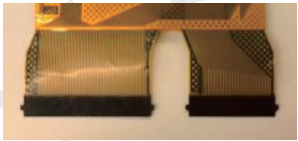
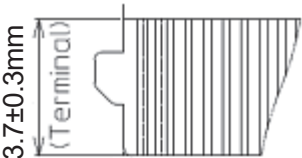
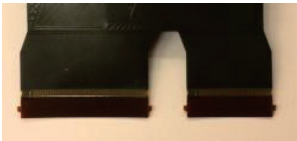
NL12880BC20-05BD





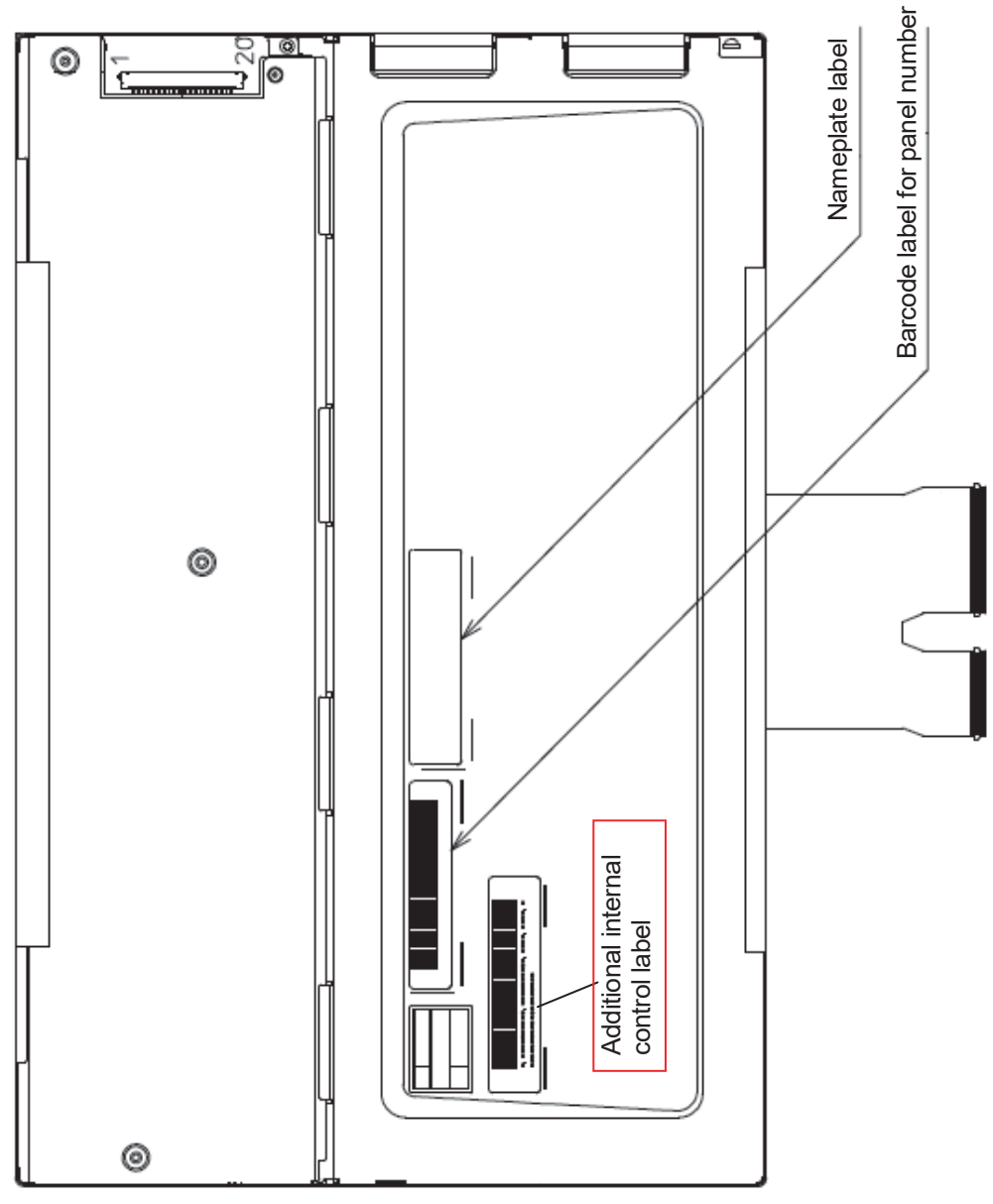
FPC for PCAP sensor



Current	After change
<p data-bbox="379 1151 405 1285">3.7±0.2mm</p> <p data-bbox="411 1151 437 1285">(Terminal)</p>  	<p data-bbox="799 987 1267 1084">Tolerance of the FPC terminal portion will be changed. No terminal length will be changed.</p> <p data-bbox="916 1151 941 1285">3.7±0.3mm</p> <p data-bbox="954 1151 979 1285">(Terminal)</p>  <p data-bbox="799 1330 1251 1397">Shield (Color: Black) will be added on the FPC.</p> 



Additional internal control label





3. Reason of change

Based on product standardizing activity in TMJ

4. MP Schedule

The change will be applied from March 2019 production onward.
There might be some timing change due to material stock situation.

5. Product revision

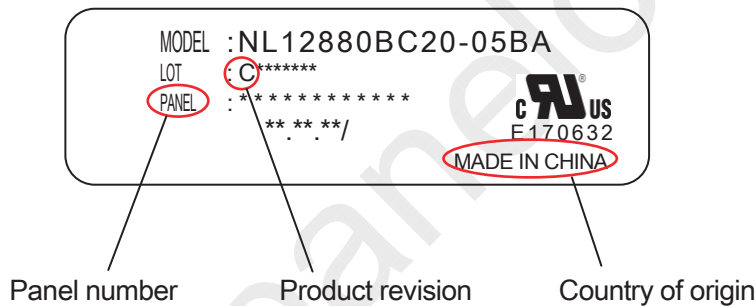
Current	After change
B	C

6. Nameplate label

	Current	After change
Country of origin	MADE IN JAPAN	MADE IN CHINA
The number of digits of panel number	13 digits	12 digits

Example of the name plate label

Name plate label (Example)



In case there are any questions, please feel free to contact sales or sales representative of TMJ.

Ryui Kawashima

Ryuji Kawashima
Product Manager

Tianma Japan, Ltd.
Sales Division
Shin-Kawasaki Mitsui Building West Tower 28F
1-1-2, Kashimada, Saiwai-ku, Kawasaki,
Kanagawa 212-0058, Japan